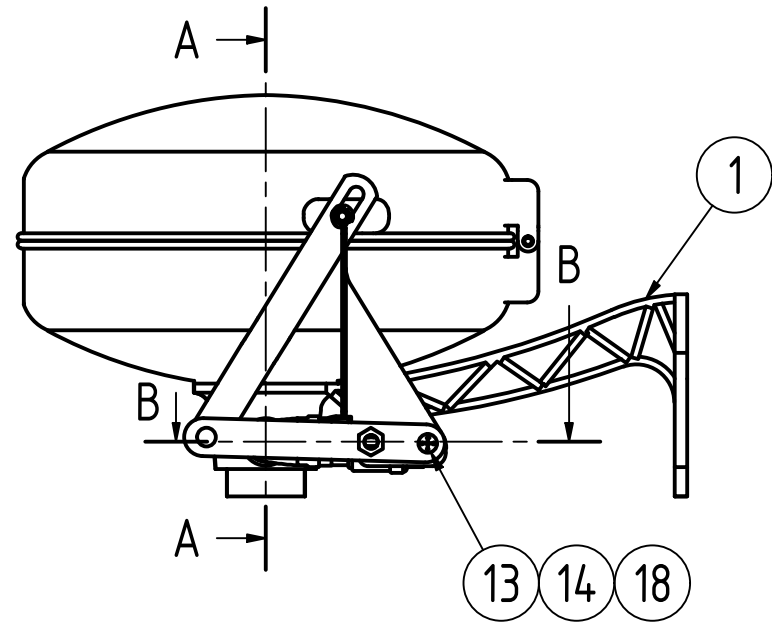
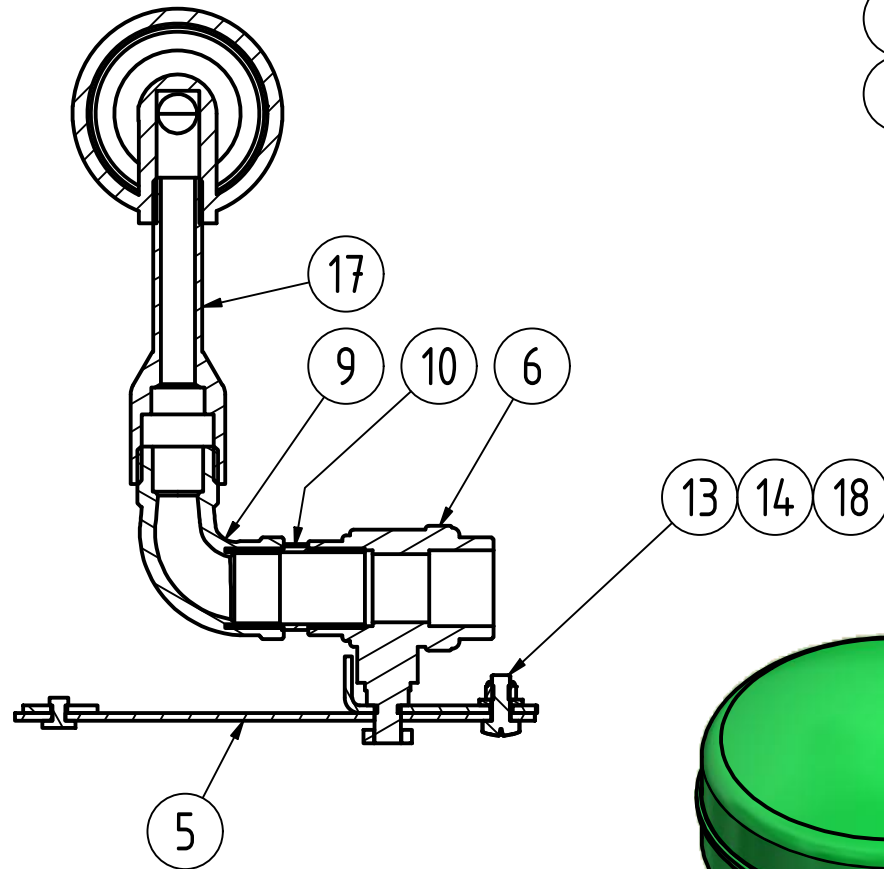


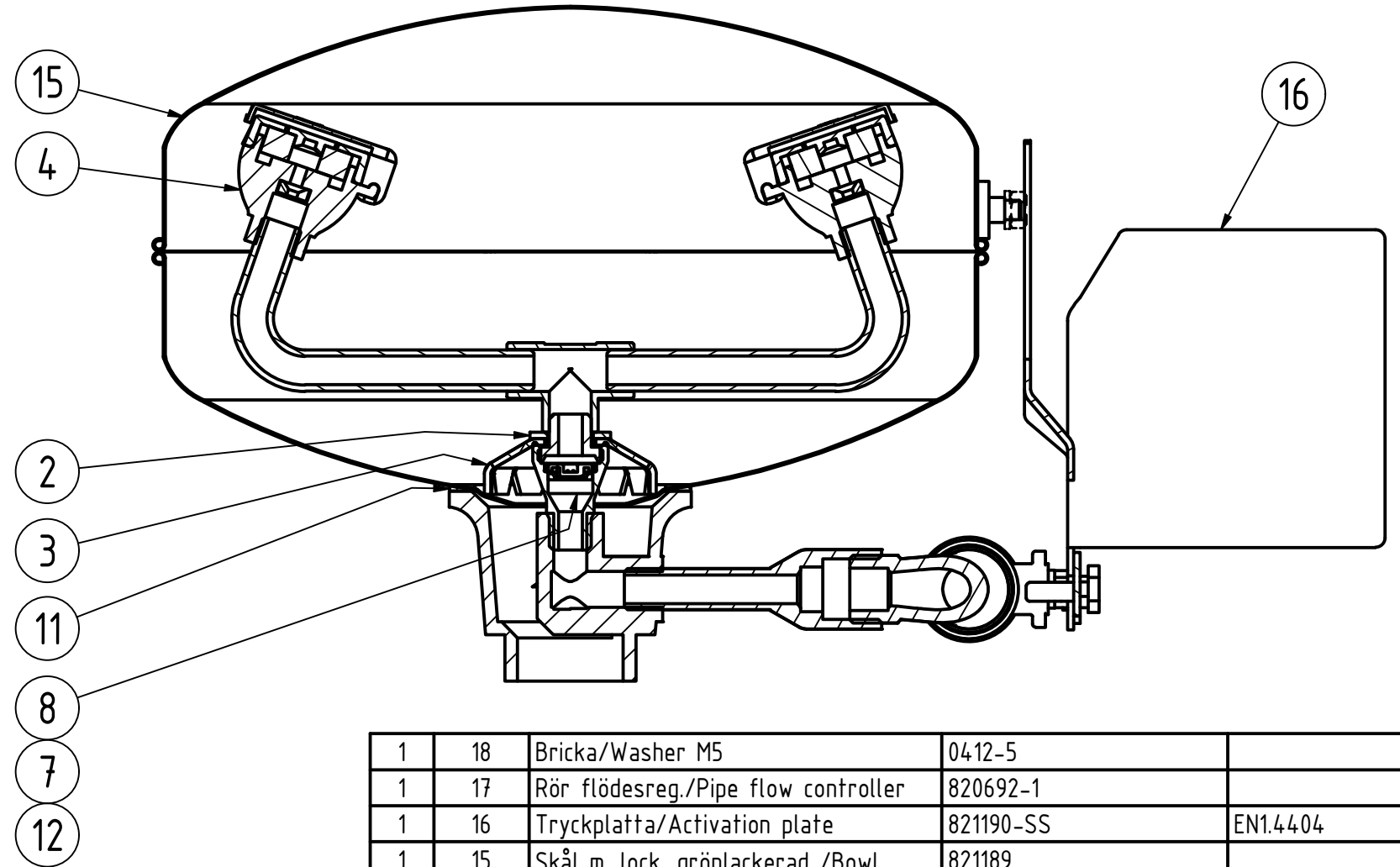
This drawing must not without our permission be copied, imparted to third party or otherwise unauthorizedly used. Contravenition will be prosecuted.  
Denna ritning får ej utan vårt medgivande kopieras, delgivas annan eller eljest obehörigen användas. Överträdelse beivras med ströf av gällande lag.



B-B ( 1 : 2 )



A-A ( 1 : 2 )



1	18	Bricka/Washer M5	0412-5	
1	17	Rör flödesreg./Pipe flow controller	820692-1	
1	16	Tryckplatta/Activation plate	821190-SS	EN1.4404
1	15	Skål m. lock, grönlackerad /Bowl with lid, green painted	821189	
1	14	Mutter/Nut	0397-5	
1	13	Skruv/Screw	0293-512	M5x12
1	12	Flödesreg./Flow regulator	820972	10 l/min
1	11	Packning, gummi/Gasket, rubber	820124	
1	10	Sexkantsnippel/Nipple	820211	DN15 , SS2343
1	9	Vinkel/Elbow connector	820758	DN15 inv/utv, SS2343
1	8	Nipple flowregulator	820729	
1	7	Nipple flowregulator	820728	
1	6	Kulventil/Ball valve	821228	DN15, SS
1	5	Länkarm/Drop arm	820188	
1	4	Spolhus/Flushing house, 10l/min	820701	
1	3	Sil/Strainer	820341	
1	2	Nylonbussning/Nylon bushing	820807	
1	1	Väggkonsol/Wall bracket	820808	

Quant.	Det. -no	Dimension/Name	Material/Draw.nr/Art. no.	Note
A				

Drawing shall be CANCELED after finished project

Design	Modelled by	Controlled	Approved	Scale	Revision	Replaced by
FB	FB			1:4		

<b>ΔGIA Premix</b>	Ögondusch 10 lit/min		Partname	Date
	Eyeshower, EN1.4404		7923641	2019-05-10
		Drawing number	Sheet-no	
		7923641	1 / 1	

No.	Qty.	Change and/or note number	Date	Intr. by	Appr.