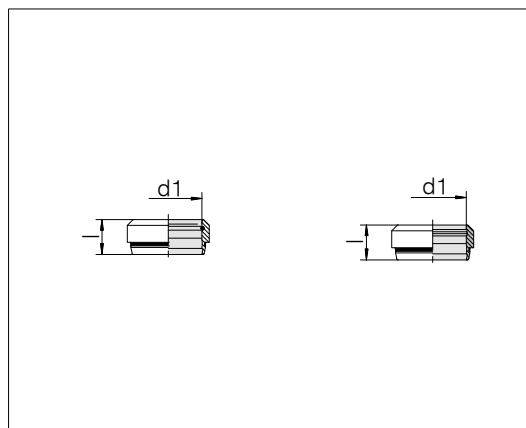


ES-4 / ES-4VA cutting rings

Standard material of moulded seals and O-rings is FKM



Series	Pressure	l	Order-No.	Designation steel	Order-No.	Designation stainless steel
Tube OD d1						
L/S 6	PN 500/800	8.8	0011002039	24-ES4-L/S6	0011006039	24-ES4-L/S6-SST
L/S 8	PN 500/800	8.8	0011052039	24-ES4-L/S8	0011056039	24-ES4-L/S8-SST
L/S 10	PN 500/800	9.8	0011102039	24-ES4-L/S10	0011106039	24-ES4-L/S10-SST
L/S 12	PN 400/630	9.8	0011152039	24-ES4-L/S12	0011156039	24-ES4-L/S12-SST
L 15	PN 400	10.2	0011202039	24-ES4-L15	0011206039	24-ES4-L15-SST
L 18	PN 400	10.2	0011252039	24-ES4-L18	0011256039	24-ES4-L18-SST
L 22	PN 250	11.5	0011302039	24-ES4-L22	0011306039	24-ES4-L22-SST
L 28	PN 250	11.5	0011352039	24-ES4-L28	0011356039	24-ES4-L28-SST
L 35	PN 250	13.5	0011402039	24-ES4-L35	0011406039	24-ES4-L35-SST
L 42	PN 250	13.5	0011452039	24-ES4-L42	0011456039	24-ES4-L42-SST
S 14	PN 630	10.2	0011702039	24-ES4-S14	0011706039	24-ES4-S14-SST
S 16	PN 630	10.2	0011752039	24-ES4-S16	0011756039	24-ES4-S16-SST
S 20	PN 420	12.5	0011802039	24-ES4-S20	0011806039	24-ES4-S20-SST
S 25	PN 420	12.5	0011852039	24-ES4-S25	0011856039	24-ES4-S25-SST
S 30	PN 420	13.5	0011902039	24-ES4-S30	0011906039	24-ES4-S30-SST
S 38	PN 420	13.5	0011952039	24-ES4-S38	0011956039	24-ES4-S38-SST

Cutting-rings for tube OD
6 - 12 mm are identical for
series L + S.

Example for comp. :
ISO 8434-1-CR-L6-St

