

Geometric tolerance after ISO 14638

		02	See sheet 2	29-04-2022	KL
QDA	DCN	REV.	CHANGE	DATE	BY
<b>BROEN</b> VALVE TECHNOLOGIES	MATERIAL	-		WEIGHT (g) 84.98	SCALE
	PART			DRAW. KL	2:1
UNSPECIFIED TOLERANCES ANGLES $\pm 2^\circ$ OTHER DIM. $\pm 0,2$	PRODUCT	Ballofix® DN10R		APPR. KL	DATE 29-04-2022
	CONNECTIONS	G3/8A x Ø12mm		DRAWING NUMBER	42179700
This drawing is our property and may not be transferred to third party, copied or made use of without our permission.				SP no.:	Sheet1 of 3

**BROEN**

INTELLIGENT FLOW SOLUTIONS

**TECHNICAL MESSAGE**  
(Ændringsmeddelelse)

PART NUMBER:

**42179700**

REVISION:

**02**

PART:

DRAWN: KL

REV.BY: KL

DESCRIPTION:

Ballofix® DN10R

APPR.: KL

APPR.: KL

CONNECTIONS:

G3/8A x Ø12mm

DATE: 03-12-2012

REV.DATE: 29-04-2022

CHANGE TYPE:

Changed drawing

BACKGROUND:

Quality

EFFECT:

Gradually

FAMILY COMPONENTS:

DESCRIPTION:

Valvebody 42100901 replaced by 42513501

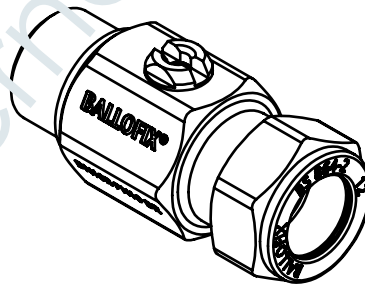
**FTA**

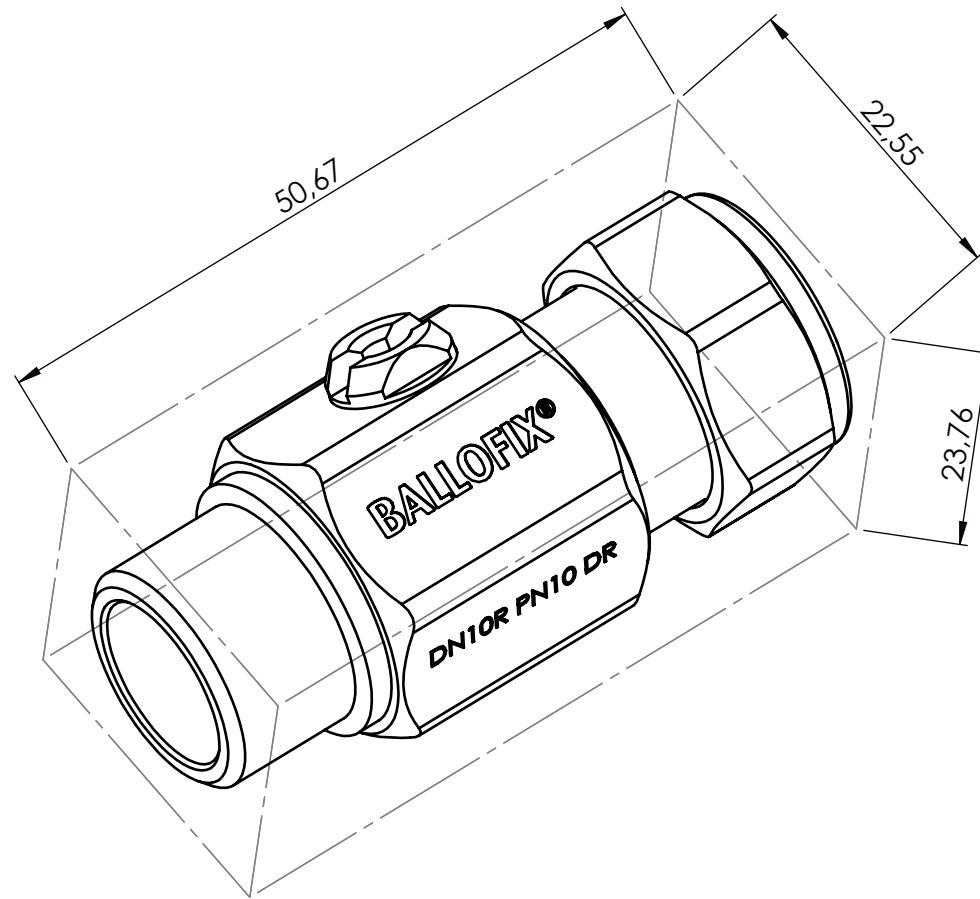
APPROVED BY:

JAO

APPROVED DATE: 30-07-13

COMMENT:





Geometric tolerances after ISO14638

		02	See sheet 2	29-04-2022	KL
QDA	DCN	REV.	CHANGE	DATE	BY
<b>BROEN</b> VALVE TECHNOLOGIES	MATERIAL	-		WEIGHT (g)	84.98
	PART			DRAW.	KL
UNSPECIFIED TOLERANCES ANGLES $\pm 2^\circ$ OTHER DIM. $\pm 0.2$	PRODUCT	Ballofix® DN10R		DATE	25-01-2024
	CONNECTIONS	G3/8A x Ø12mm		DATE	29-04-2022
			DRAWING NUMBER	42179700	
This drawing is our property and may not be transferred to third party, copied or made use of without our permission.				SP no.:	Sheet 3 of 3