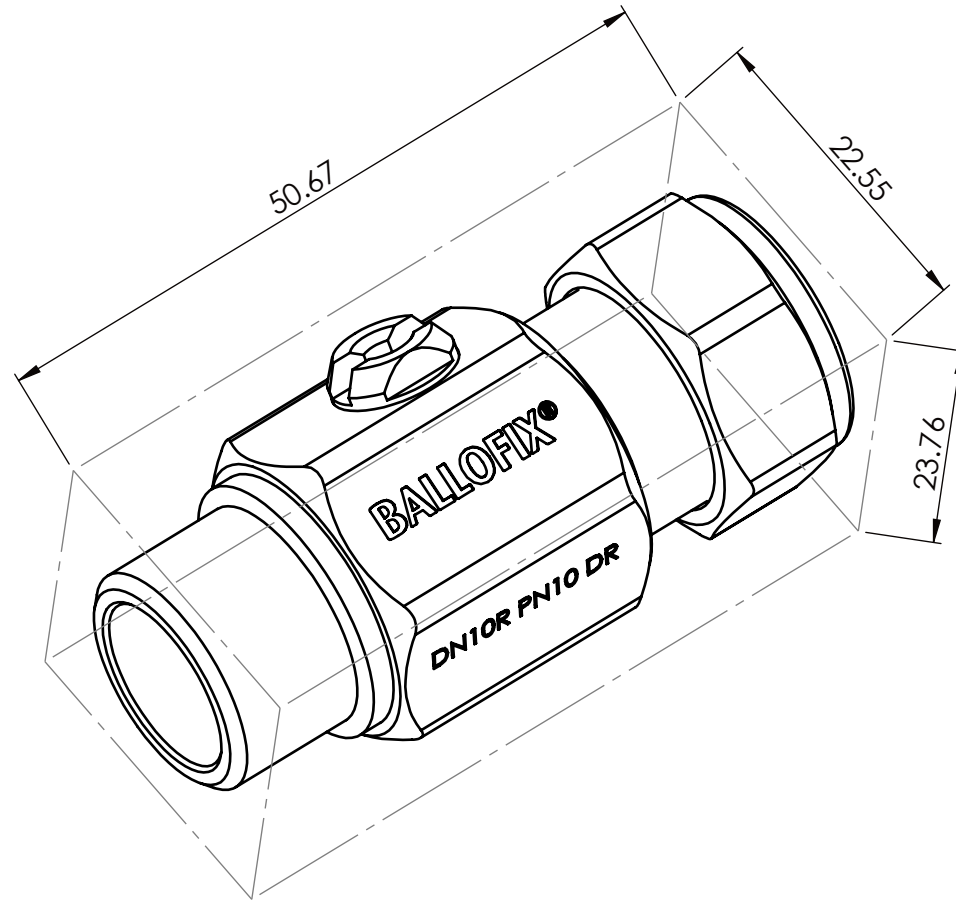


Geometric tolerance after ISO 14638

		02	See sheet 2	29-04-2022	KL
QDA	DCN	REV.	CHANGE	DATE	BY
<b>BROEN</b> VALVE TECHNOLOGIES	MATERIAL	-		WEIGHT (g) 84.98	SCALE
	PART			DRAW. KL	2:1
UNSPECIFIED TOLERANCES ANGLES $\pm 2^\circ$ OTHER DIM. $\pm 0.2$	PRODUCT	Ballofix® DN10R		APPR. KL	DATE 29-04-2022
	CONNECTIONS	G3/8A x $\phi 12$ mm		DRAWING NUMBER	42179700
This drawing is our property and may not be transferred to third party, copied or made use of without our permission.				SP no.:	Sheet1 of 2



		02	See sheet 2	29-04-2022	KL
QDA	DCN	REV.	CHANGE	DATE	BY
<b>BROEN</b> VALVE TECHNOLOGIES	MATERIAL	-		WEIGHT (g)	84.98
	PART			DRAW.	KL
UNSPECIFIED TOLERANCES ANGLES $\pm 2^\circ$ OTHER DIM. $\pm 0.2$	PRODUCT	Ballofix® DN10R		DATE	25-01-2024
	CONNECTIONS	G3/8A x Ø12mm		DATE	29-04-2022
			DRAWING NUMBER	42179700	
This drawing is our property and may not be transferred to third party, copied or made use of without our permission.				SP no.:	Sheet3 of 2