

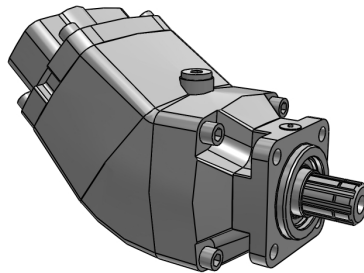


ENGINEERING YOUR SUCCESS.

Pump & Motor Division Europe  
Parker Hannifin Mfg. Germany GmbH & Co. KG  
Neefestrasse 96  
09116 Chemnitz, Germany  
Ph: +49 (0)371 393 70  
www.parker.com/PMDE

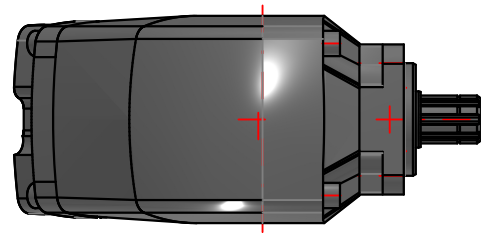
## Pump & Motor Division Europe F2 Series

Pump Part No.: 3781453 / Suction Fitting Part No.: None / Bypass Valve Kit Part No.: None

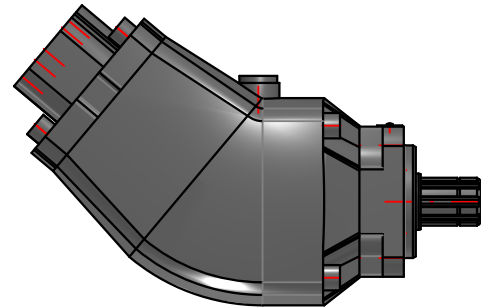
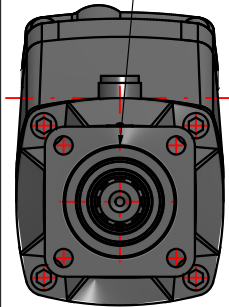


*Interactive 3D graphic, click to activate and rotate  
(3D capable PDF viewer required)*

Technical Data	
Pump Part No.	3781453
Suction Fitting Part No.	None
Bypass Valve - BPV Part No.	None
Series	F2 Twin-flow Pump
Mounting Flange	ISO
Inlet Port	Parker Standard
Frame Size	F2-53/53
Rotation	R - Right
Displacement	55/52 - [cm <sup>3</sup> /rev]
Operating Pressure	400 - [bar]
Shaft Speed	2550 - [rpm]
Input Power	127 - [KW]
Weight [kg]	19
Flow (outlet port A + B)	99/94 - [l/min]
Torque (outlet port A + B)	589 - [Nm] at 350 [bar]
Suction Fittings Angle	NONE
Dimensions	N/A
Bypass Valve - BPV	NONE
BPV - Voltage	N/A



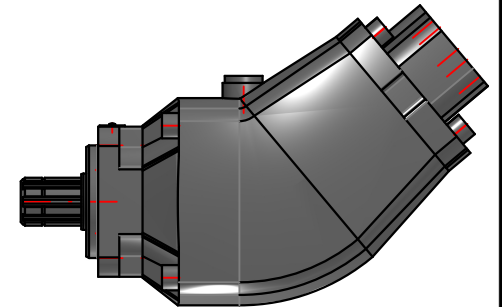
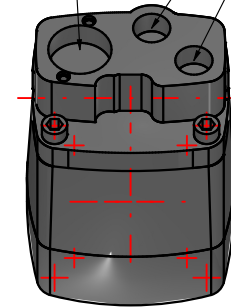
Flange/shaft:  
PTO coupling ISO 7653 - D



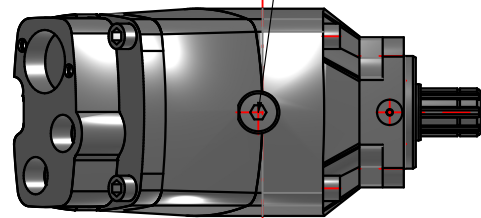
Inlet port:  
Parker standard

Outlet port B:  
ISO 1179-1 - G 3/4

Outlet port A:  
ISO 1179-1 - G 3/4



Drain port:  
ISO 1179-1 - G 1/2



For performance data, dimensions and deviations from standards, see catalog.

**Disclaimer:**

Parker PMDE has a continuous policy of product development and although the Company reserves the right to change specifications, it attempts to keep customers informed of any alterations. This publication is for general information only and customers are requested to contact their local Parker dealer for detailed information and advice on a products suitability for specific applications. All products are sold subject to the company's Standard conditions of sale.

Pump Part No.: 3781453 / Suction Fitting  
Part No.: None / Bypass Valve Kit Part No.:  
None



Price: contact Parker