

Reliable and quick

New  
design



## ***Flexvent*** Automatic air vent

### **Features and benefits:**

- Easy to install
- Reliable and fast
- Captive cap with open/close function and leak prevention
- Substantial gap between water and closing: reduced chance of contamination
- Extensive product range

## Flexvent: Improved design

Under the name 'Flexvent', Flamco offers a comprehensive range of automatic floating air vents. Flexvent air vents have proven themselves in the market for decades. Flamco has improved the Flexvent automatic floating air vent even further in terms of both the design and execution.

The Flexvent floating air vent consists of a closed brass housing and an interior made entirely of plastic. The water level lifts the float and keeps the air valve mechanism closed. When air collects in the vent housing, the water level drops, lowering the float and opening the vent valve.

The collected air is vented, allowing the water level to rise and the air valve to close again. This process will keep repeating as long as air enters the Vent housing during normal operation.

### Advantages and features

**NEW:** Captive cap with open/close function and nuisance leak prevention

Robust design (1-piece brass body)

Suitable for closed central heating and cooling installations with glycol solutions of up to 50%

Easy assembly and disassembly thanks to pre-assembled brass valve sleeve



Substantial distance between the water and the closing mechanism, reducing the chance of contamination.

Designed for a maximum operating pressure of 10 bar and a peak temperature of 120°C

Available in 1/8", 3/8", 1/2" and 3/4"

**NEW:** Valve sleeve with self-sealing notched gasket (no sealing tape required)

### Extensive product range



Connection	Valve sleeve	Bubble breaker	Colour	Part No.
R 1/8"	no	yes	brass	27775
R 3/8"	yes	no	brass	27750
R 1/8" / R 3/8"	yes	no	brass	27780
R 1/2"	yes	no	brass	27740
G 1/2"	no	yes	white	27743
R 1/2"	yes	no	nickel-plated	27742
R 3/4"	yes	no	brass	27735

## Other models

### Flexvent H

With a 1/2" side connection allowing direct installation in one of the radiator plugs. As this model is usually installed in plain sight, there are two models: nickel-plated and white.



Connection	Valve sleeve	Colour	Part No.
R 1/2"	no	Nickel-plated	27710
R 1/2"	no	white	27711

### Flexvent Super

The conical cap maximises the distance between the water level and vent valve. The vent valve is integrated in the cap, so the float mechanism cannot be damaged from the outside.



Connection	Valve sleeve	Colour	Part No.
G 1/2" F	no	brass	28520

### Flexvent Max

Similar in appearance to the Flexvent Super 1/2" but with a 3/4" connection and suitable for pressures of up to 25 bar.



Connection	Valve sleeve	Colour	Part No.
Rp 3/4"	no	brass	28550

### Flexvent Solar

Manually operated air vent for solar installations with or without glycol addition. Suitable for a supply temperature of -10 to 200°C and a maximum operating pressure of 10 bar.



Connection	Valve sleeve	Colour	Part No.
R 3/8"	no	Nickel-plated	27785

### Flexvent Top Solar

This model includes a ball valve and is suitable for a supply temperature of -30 to 180°C and a maximum operating pressure of 10 bar.



Connection	Valve sleeve	Colour	Part No.
G 3/8" M	no	brass	28505



### Flexvent Top

This automatic floating air vent works on the same principle but has a larger venting capacity.



Connection	Valve sleeve	Colour	Part No.
Rp 1/2"	no	brass	28515
R 3/8"	yes	white	28510

### Flexvent Pro

The Flexvent Pro contains a filter that breaks down large air bubbles into smaller ones. They can then find their way out more easily.



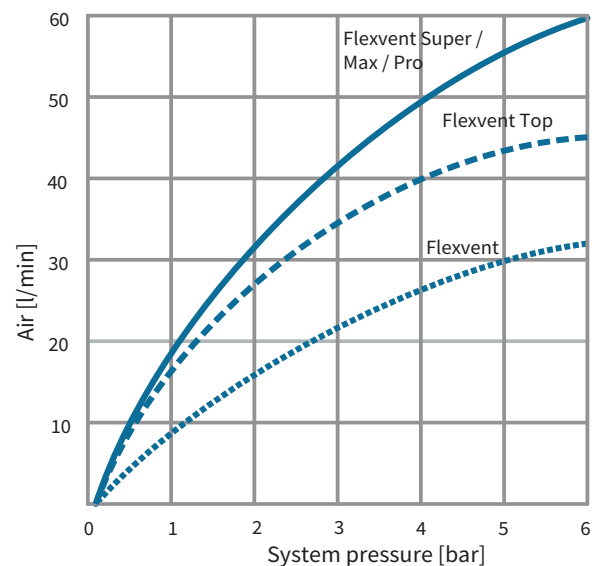
Connection	Valve sleeve	Colour	Part No.
Rp 1/2"	no	brass	28519

### Flexvent Top Aqua

This model is suitable for potable water installations with a water hardness of CaCO<sub>3</sub> < 180 mg/l. Features ACS approval (KIWA approval on request).



Connection	Valve sleeve	Colour	Part No.
Rp 1/2"	no	brass	28508



**Even more Flamco products for heating and cooling**

Flamco offers a wide range of products for heating, cooling and solar installations. From expansion vessels, safety valves, air and dirt separators to ball valves and handy installation aids such as the

FlexConsole and T-plus. Our products are highly durable, energy-efficient and have a long service life.



*Flexcon Premium  
Expansion vessels*



*Airix Expansion vessels for  
potable water*



*Flexcon Solar  
Expansion vessels*



*Flexcon PA AutoFill  
Pressure maintenance assistant*



*Prescor Safety valves  
(Heating)*



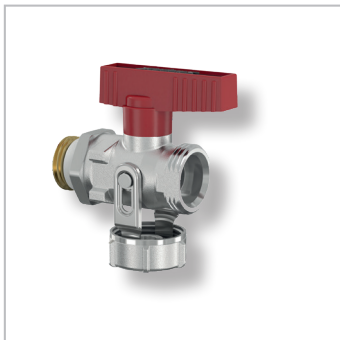
*Prescor Safety valves  
(Potable water)*



*Prescor Solar  
Safety valves*



*Prescor IC Fill  
Safety Group*



*Simplex KFE Ball Valves  
(Heating)*



*Simplex KFE Ball Valves  
(Potable water)*



*Simplex KFE Ball Valves  
(Solar)*



*XStream  
Air and Dirt separators*

**Flexvent**  
*Reliable and quick*

**United Kingdom**  
Aalberts hydronic flow control  
Washway Lane  
St Helens, Merseyside  
WA10 6PB

**T** +44 1744 744 744  
**E** uk.info@aalberts-hfc.com

**United Arab Emirates**  
Aalberts hydronic flow control  
Silicon Oasis D206 HQ  
PO Box 341479  
Dubai

**T** +971 4 881 95 40  
**E** ae.info@aalberts-hfc.com

**The Netherlands (Export)**  
Aalberts hydronic flow control  
Fort Blauwkapel 1  
1358 AD Almere

**T** +31 (0)36 526 2300  
**E** export.info@aalberts-hfc.com