

## AVENTICS Series AR1 Compressed air reservoirs



### Technical data

Industry	Industrial
Port 1	G 1
Port 2	G 1/2
Reservoir Ø	206 mm
Air reservoir volume	10 L
Min. working pressure	0 bar
Max. working pressure	11 bar
Min. ambient temperature	-40 °C
Max. ambient temperature	100 °C
Min. medium temperature	-40 °C
Max. medium temperature	100 °C
Medium	Compressed air
Housing material	Steel, chrome-plated
Surface housing	black painted
Part No.	3513000030

## Technical information

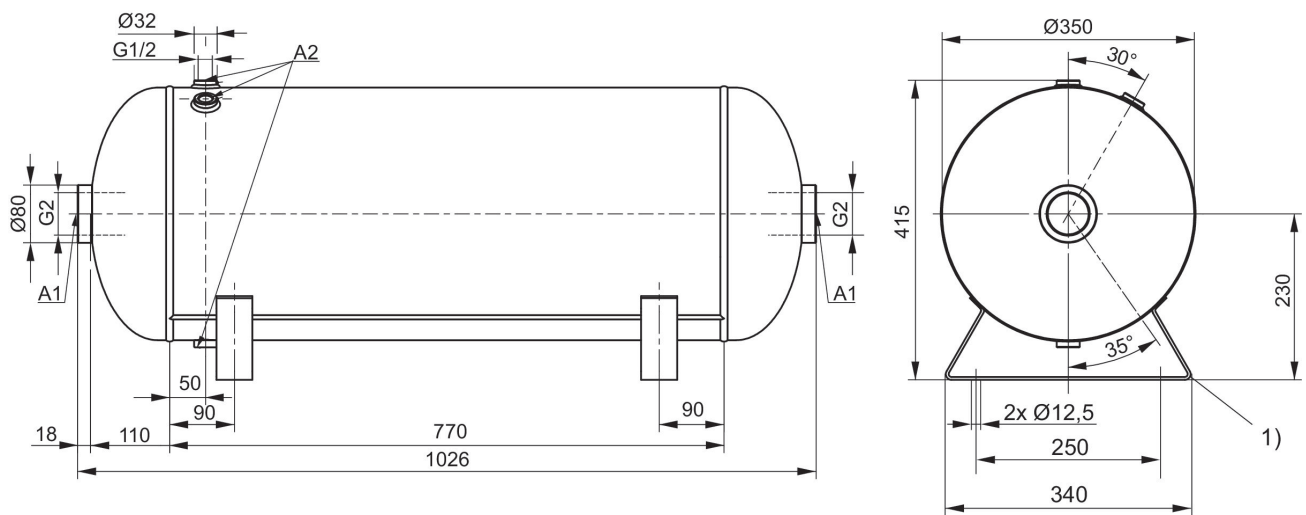
The pressure dew point must be at least 15 °C less than ambient and medium temperature and may not exceed 3 °C.

The oil content of compressed air must remain constant during the life cycle.

Use only the approved oils from AVENTICS. Further information can be found in the “Technical information” document (available in <https://www.emerson.com/en-us/support>).

## Dimensions

Fig. 7

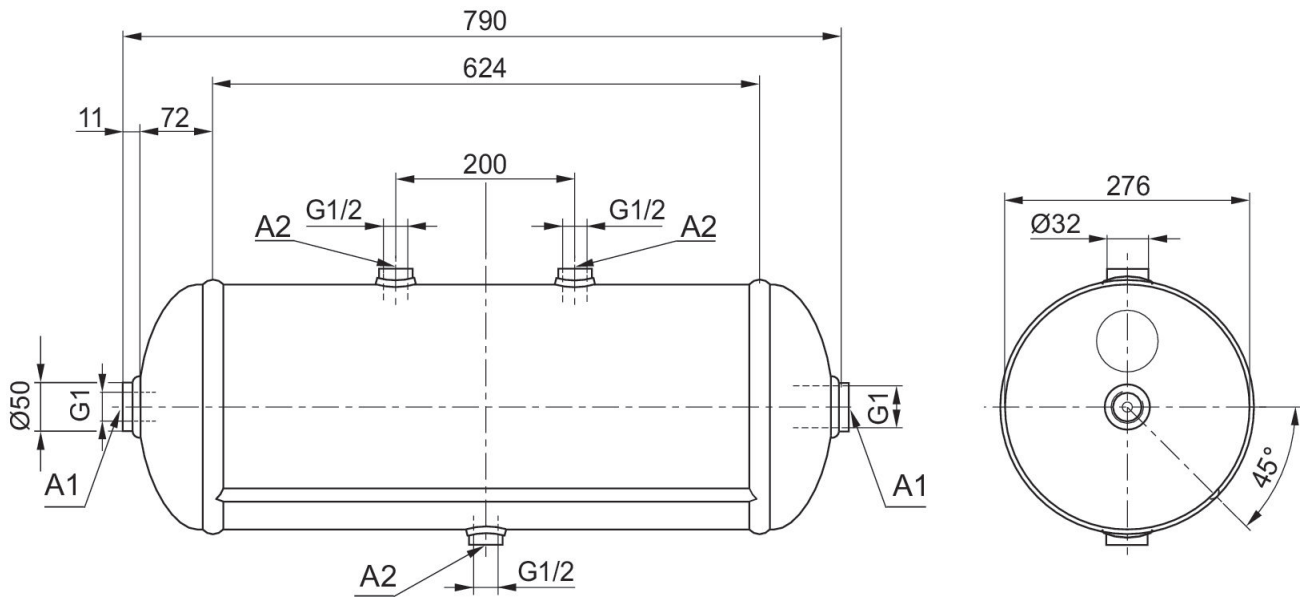


A1 = horizontal connection  
 A2 = radial connection  
 1) Foot

## Dimensions

3513000030

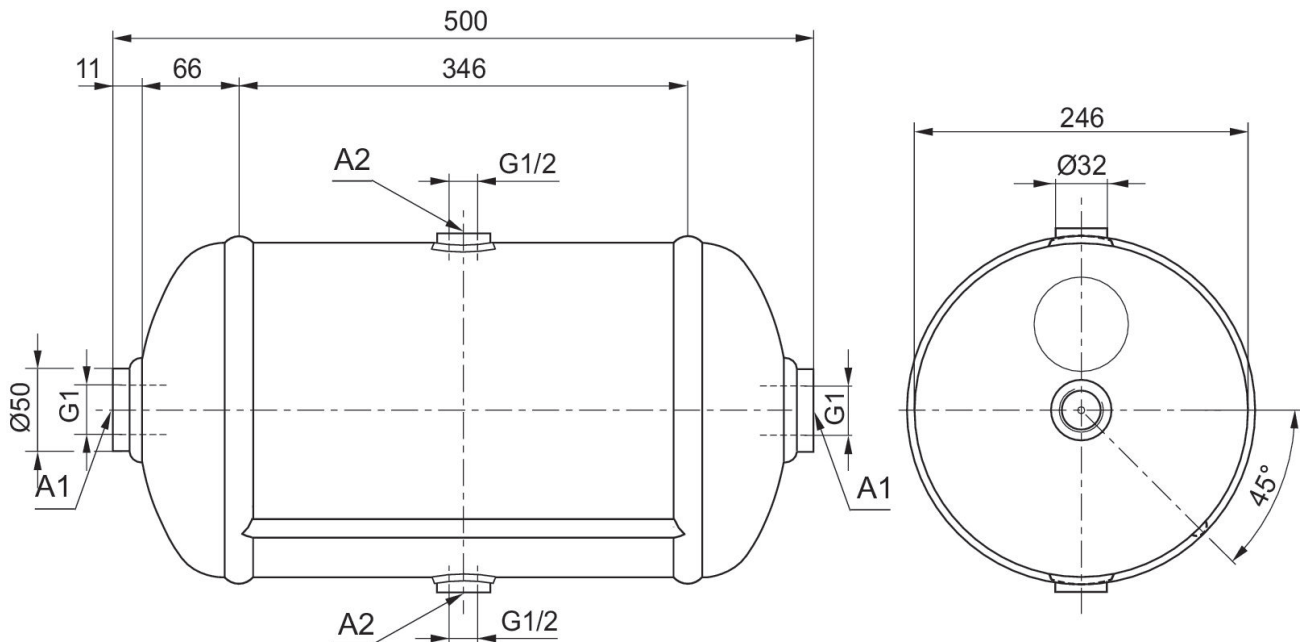
Fig. 6



A1 = horizontal connection  
A2 = radial connection

## Dimensions

Fig. 5

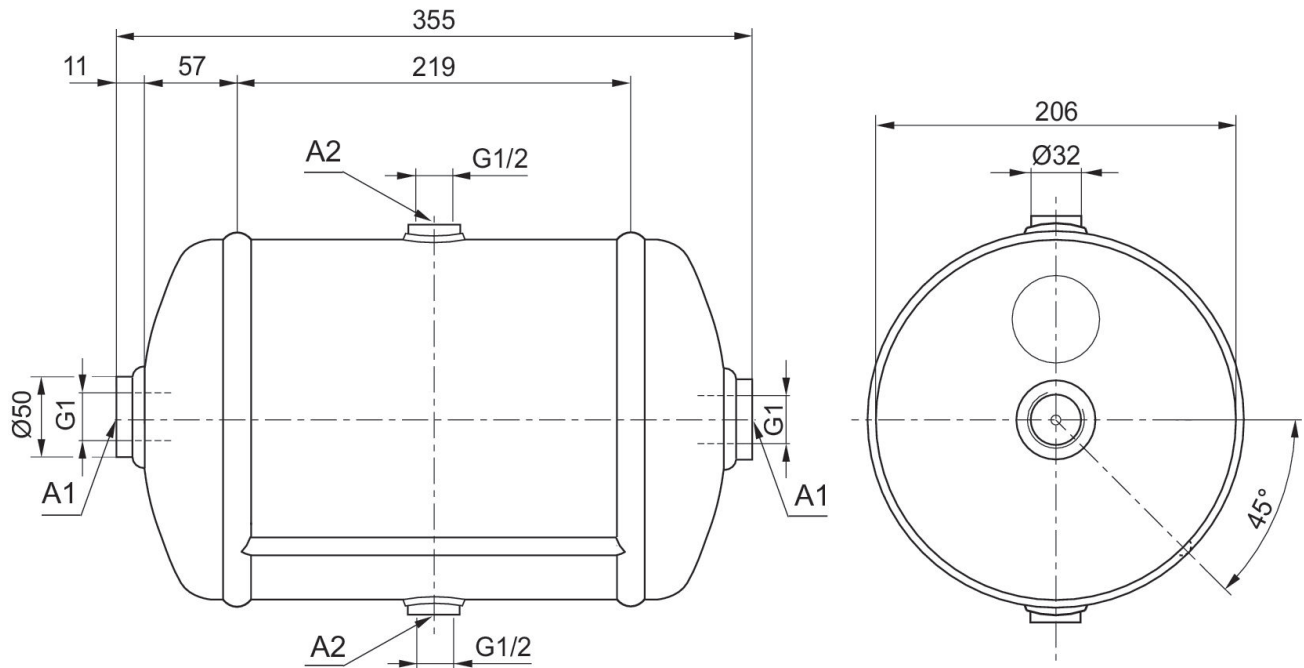


A1 = horizontal connection  
A2 = radial connection

## Dimensions

3513000030

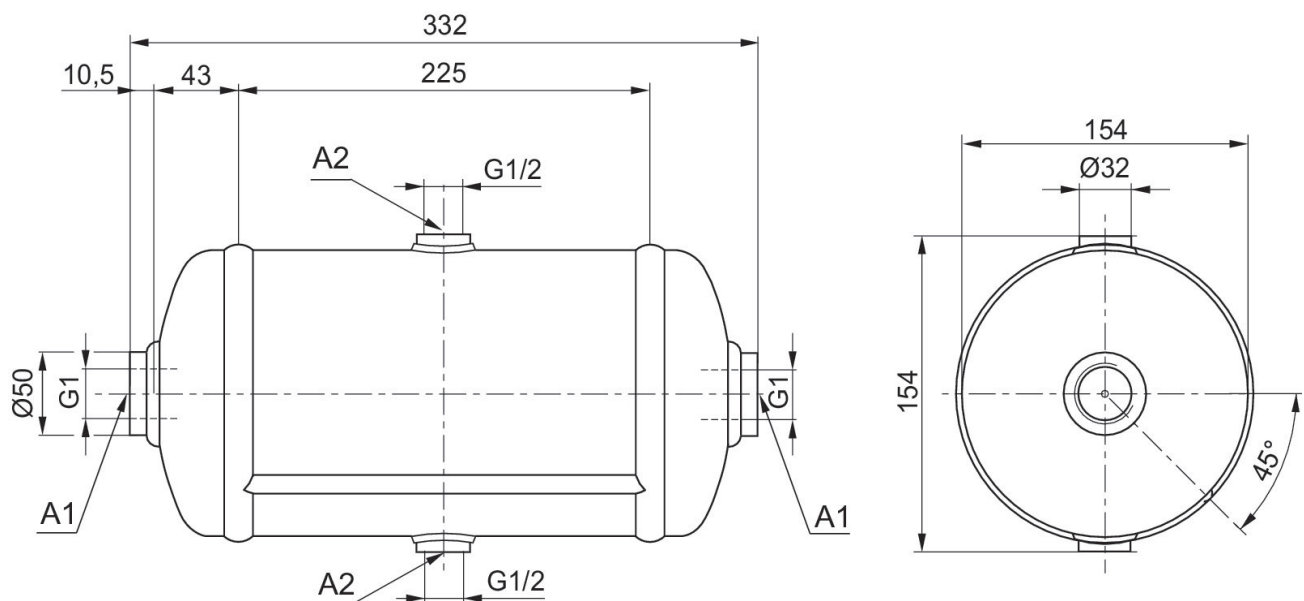
Fig. 4



A1 = horizontal connection  
A2 = radial connection

## Dimensions

Fig. 3



A1 = horizontal connection  
A2 = radial connection

## Dimensions

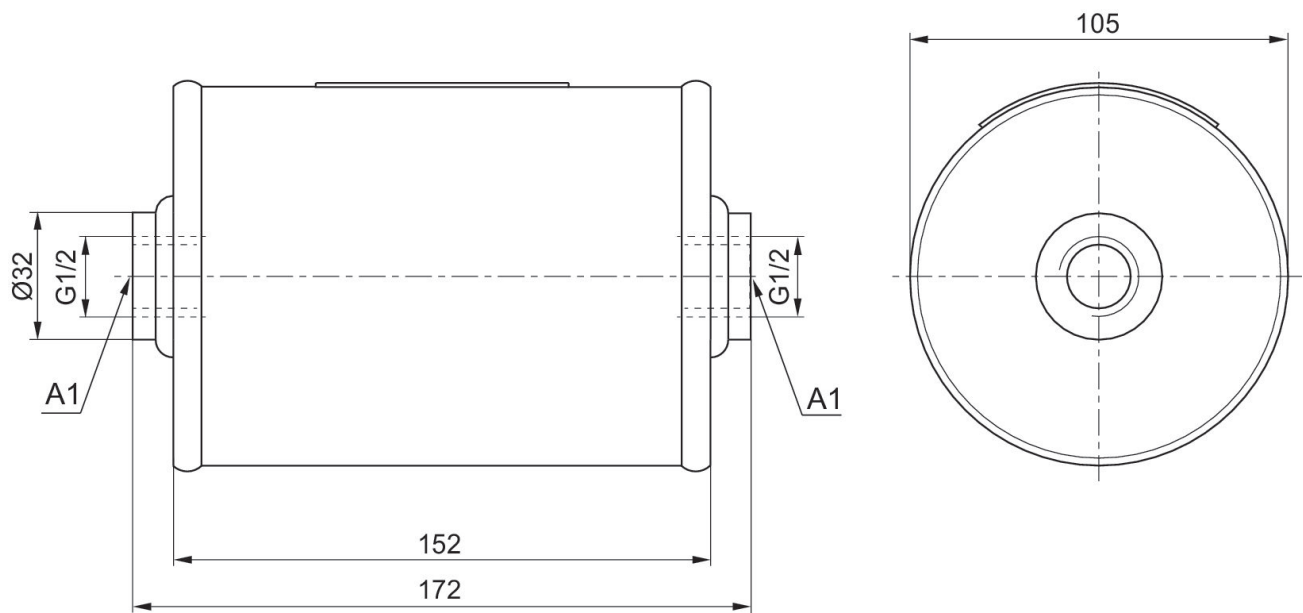
Fig. 2



A1 = horizontal connection  
A2 = radial connection

## Dimensions

Fig. 1



A1 = horizontal connection