

Clevis mounting AB3, Series CM1

3323420000

Clevis
mounting

2023-11-14

AVENTICS Clevis mountings



Technical data

Industry

Industrial

Piston diameter

20 mm

25 mm

Swivel bearing Ø

8 mm

Material

Housing material

Stainless Steel

Fig.

Fig. 2

Part No.

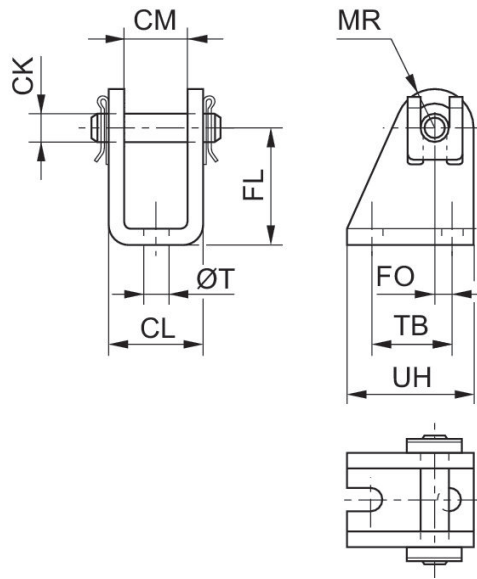
3323420000

Clevis mounting AB3, Series CM1

3323420000

Clevis
mounting

2023-11-14



Piston Ø	Part No.	CM	Ø CK	CL	FL	FO	MR	Ø T	TB
8, 10	1827001447	8,1	4	13,1	24	1,5	5	4,5	12,5
8, 10	3323410000	8	4	13	24	1,5	5	4.5	12
12, 16	1827001446	12,1	6	18,1	27	2,0	7	5,5	15
12, 16	3323416000	12	6	18	27	2,0	7	5.5	15
20, 25	1827001445	16,1	8	24,1	30	4,0	10	6,6	20
20, 25	3323420000	16	8	24	30	4,0	10	6.6	22
32	3323432000	26	10	36	32	6,0	12	6.6	24

Piston Ø	UH
8, 10	20
8, 10	20
12, 16	25
12, 16	25
20, 25	32
20, 25	34
32	36