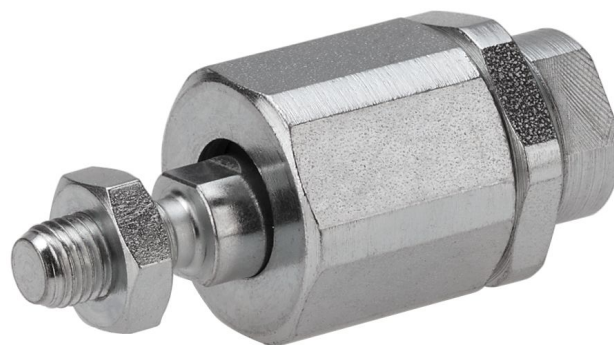


Compensating coupling PM5, series CM2

1826409006

General series information
AVENTICS Flexible couplings



Technical data

Industry

Industrial

For series

to mount on cylinder PRA, TRB, CCL-IS/-IC, CCI, SSI, MNI, KPZ, KHZ, 167, CVI, RPC, RDC, ITS spherical

For series

PRA
TRB
CCL-IS
CVI

Thread size

M27x2

Weight

1.7 kg

Material

Housing material

Steel, chrome-plated

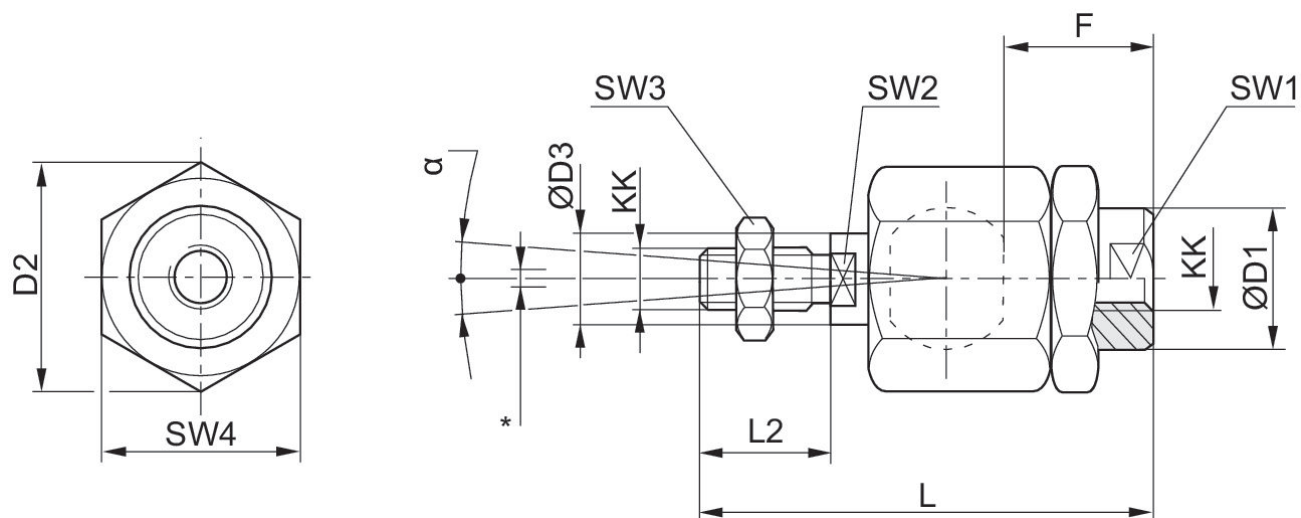
Surface housing

galvanized

Part No.

1826409006

Dimensions



* Radial joint

KK	Part No.	Ø D1	D2	Ø D3	F	L ±2	L2	SW1	SW2
M4	1826409008	12	13.5	4	13	33	8	12	3.2
M5	R412007860	8.5	14.8	6	12	38.5	13.5	7	5
M6x1	R412026140	8.5	14.5	6	11	36.5	11	7	5
M8x1.25	R412026141	12.5	19	8	21	58	21	11	7
M10x1.25	R412026142	22	32	14	23	74.5	23	19	12
M12x1.25	R412026143	22	32	14	24	75	24	19	12
M16x1.5	R412026144	32	45	22	30	103	30	30	20
M20x1.5	R412026145	32	45	22	40	119	40	30	20
M27x2	1826409006	62	62	28	48	147	54	32	24
M36x2	1826409007	80	80	38	86	241	72	50	36
M42x2	R412007729	64	98	42	96	271	82	60	36

KK	SW3	SW4	α [°]	1)	2)
M4	7	12	8	0.05-0.2	0-0,5
M5	8	13	8	0.05-0.2	0-0,5
M6x1	10	13	6	0.05-0.5	0-1,5
M8x1.25	13	17	8	0.05-0.5	0-1,5
M10x1.25	17	30	8	0.05-0.5	0-2
M12x1.25	19	30	7	0.05-0.5	0-2
M16x1.5	24	41	6	0.05-0.5	0-2
M20x1.5	30	41	6	0.05-0.5	0-2
M27x2	41	55	8	0.05-0.2	0-2
M36x2	55	75	8	0.05-0.2	0-2
M42x2	65	85	8	0.05-0.2	0-2

1) Axial play
2) Radial play