

Microfilter, Series AS3-FLC

R412007063

General series information Series AS3

- The AVENTICS Series AS3 is a modular, versatile maintenance unit for universal application. This Series offers compact dimensions, is highly efficient, lightweight and easy-to-use. The AVENTICS Series AS guarantees reliability, safety, and efficiency with a simplified assembly and maintenance efforts.



Technical data

Industry
Industrial

Type
Microfilter

Parts
Microfilter

Reservoir
reservoir, polycarbonate, with PA protective guard

Port
G 1/2

Nominal flow Qn
700 l/min

Condensate drain
semi-automatic, open without pressure

Working pressure min.
1.5 bar

Working pressure max
16 bar

Min. ambient temperature
-10 °C

Max. ambient temperature
50 °C

Medium
Compressed air
Neutral gases

Max. achievable compressed air class acc. to
ISO 8573-1:2010
1 : - : 2

Filter reservoir volume
49 cm³

Filter element
exchangeable

Recommended pre-filtering
0.3 µm
Weight
0.361 kg
contamination display
integrated

Mounting orientation
vertical
Type
Can be assembled into blocks

Material

Housing material
Polyamide
Material front plate
Acrylonitrile butadiene styrene
Seal material
Acrylonitrile butadiene rubber
Material threaded bushing
Die cast zinc

Material reservoir
Polycarbonate
Material protective guard
Polyamide
Material filter insert
Borosilicate glass fiber
Part No.
R412007063

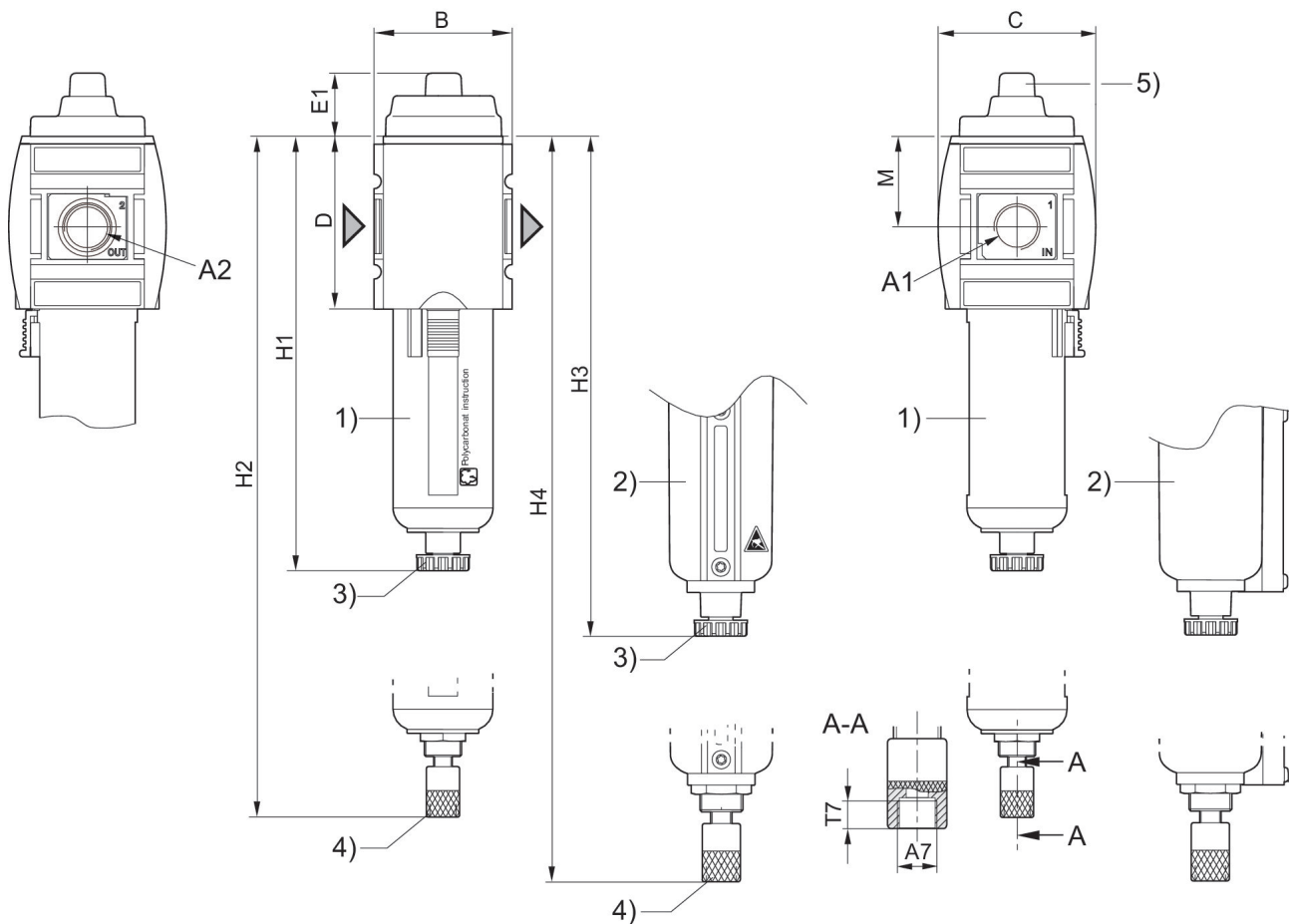
Technical information

The pressure dew point must be at least 15 °C under ambient and medium temperature and may not exceed 3 °C .

Note: Polycarbonate reservoirs are susceptible to solvents, supplementary information can be found at "Customer information".

A change in the flow direction (from air supply on the left to air supply on the right) occurs by rotating installation by 180° about the vertical axis. Please see the operating instructions for further details.

Dimensions



- A1 = input A2 = output
A7 = condensate drain
1) Plastic reservoir and protective guard with window
2) Metal reservoir with inspection glass
3) Semi-automatic condensate drain
4) Fully automatic condensate drain
5) contamination display

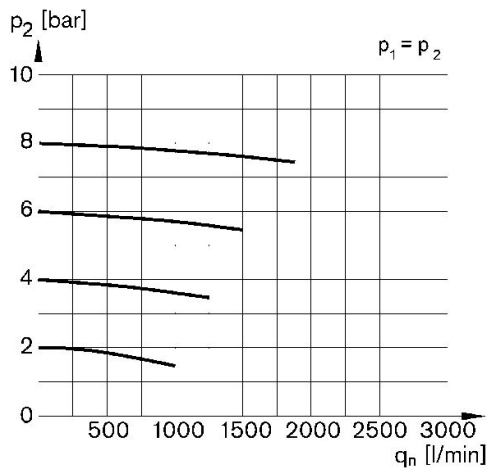
Dimensions in mm

Part No.	A1	A2	A7	B	C	D	E1	H1	H2
R412007054	G 3/8	G 3/8	G 1/8	63	74	80	23.7	189.5	206
R412007055	G 3/8	G 3/8	G 1/8	63	74	80	23.7	189.5	206
R412007056	G 3/8	G 3/8	G 1/8	63	74	80	23.7	189.5	206
R412007060	G 3/8	G 3/8	G 1/8	63	74	80	23.7	189.5	206
R412007061	G 3/8	G 3/8	G 1/8	63	74	80	23.7	189.5	206
R412007062	G 3/8	G 3/8	G 1/8	63	74	80	23.7	189.5	206
R412007063	G 1/2	G 1/2	G 1/8	63	74	80	23.7	189.5	206
R412007064	G 1/2	G 1/2	G 1/8	63	74	80	23.7	189.5	206
R412007065	G 1/2	G 1/2	G 1/8	63	74	80	23.7	189.5	206
R412007069	G 1/2	G 1/2	G 1/8	63	74	80	23.7	189.5	206
R412007070	G 1/2	G 1/2	G 1/8	63	74	80	23.7	189.5	206

Part No.	A1	A2	A7	B	C	D	E1	H1	H2
R412007071	G 1/2	G 1/2	G 1/8	63	74	80	23.7	189.5	206

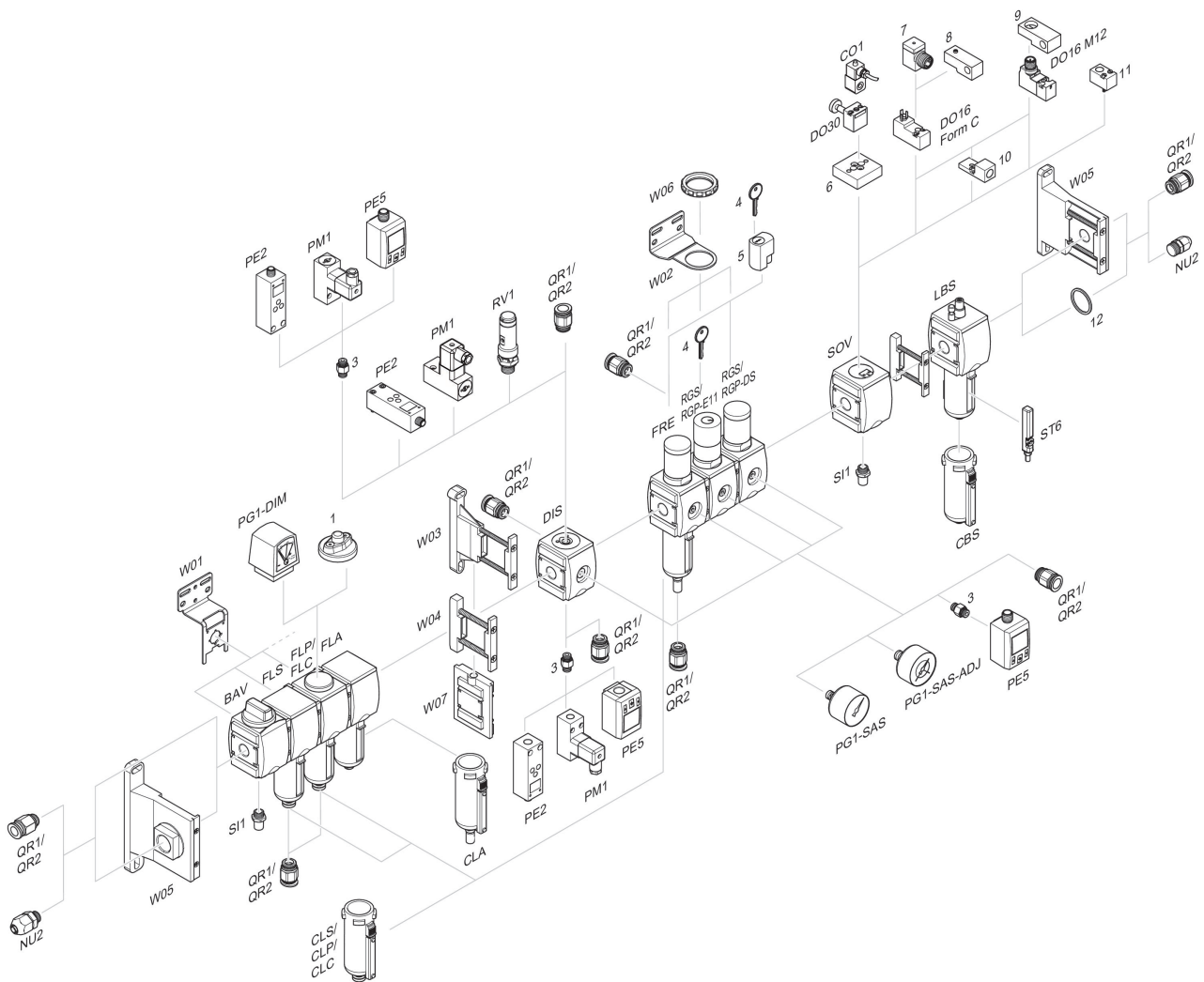
Part No.	H3	H4	M	T7
R412007054	193.5	210.5	42.5	8.5
R412007055	193.5	210.5	42.5	8.5
R412007056	193.5	210.5	42.5	8.5
R412007060	193.5	210.5	42.5	8.5
R412007061	193.5	210.5	42.5	8.5
R412007062	193.5	210.5	42.5	8.5
R412007063	193.5	210.5	42.5	8.5
R412007064	193.5	210.5	42.5	8.5
R412007065	193.5	210.5	42.5	8.5
R412007069	193.5	210.5	42.5	8.5
R412007070	193.5	210.5	42.5	8.5
R412007071	193.5	210.5	42.5	8.5

Flow rate characteristic, $p_2 = 0,05 - 7$ bar



p_1 = Working pressure p_2 = Secondary pressure q_n = Nominal flow

Accessories overview



1 = contamination display 3 = Double nipple 4 = Key for E11 locking 5 = mortise lock 6 = Transition plate DO30 7 = Adapter, Series CON-VP 8 = Mounting aid DO16, form C 9 = Mounting aid DO16, M12 10 = Adapter for external pilot air 11 = Adapter pneumatic operation 12 = Sealing ring