

# Series QR2-C-RV1, stainless steel

## R412004974

Series QR2-C, stainless steel



### Technical data

Industry  
Industrial

Fitting type  
1x banjo union

Port G  
G 1/8

Compressed air connection type 2  
push-in fitting

Port D  
Ø 6

Type  
QR2-C-RV1

suitable for use in food processing  
suitable for use in food processing

Working pressure min.  
-0.95 bar

Working pressure max  
16 bar

Min. ambient temperature  
-20 °C

Max. ambient temperature  
150 °C

Delivery unit  
2 piece

Weight  
0.016 kg

### Material

Housing material  
Stainless Steel

Seal material  
Fluorocaoutchouc

Material tooth lock washer  
Stainless Steel

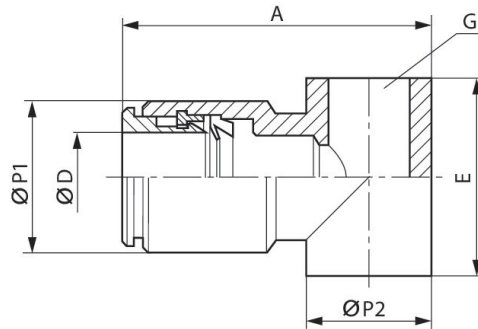
Material release ring  
Stainless Steel

Part No.  
R412004974

## Technical information

The series QR1 (plastic) and QR2 (metal) can not be combined

### Dimensions



Part No.	Port D	Port G	A	E	Ø P1	Ø P2
R412004973	Ø 4	G 1/8	27	15	9	14
R412004974	Ø 6	G 1/8	29	15	12	14
R412004975	Ø 8	G 1/8	29.5	15	14	14
R412004976	Ø 6	G 1/4	32.5	17	12	18
R412004977	Ø 8	G 1/4	33	17	14	18