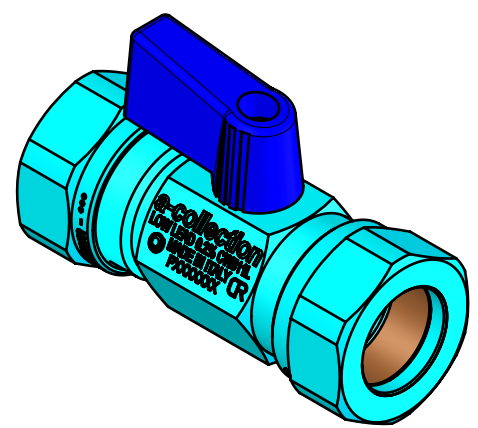
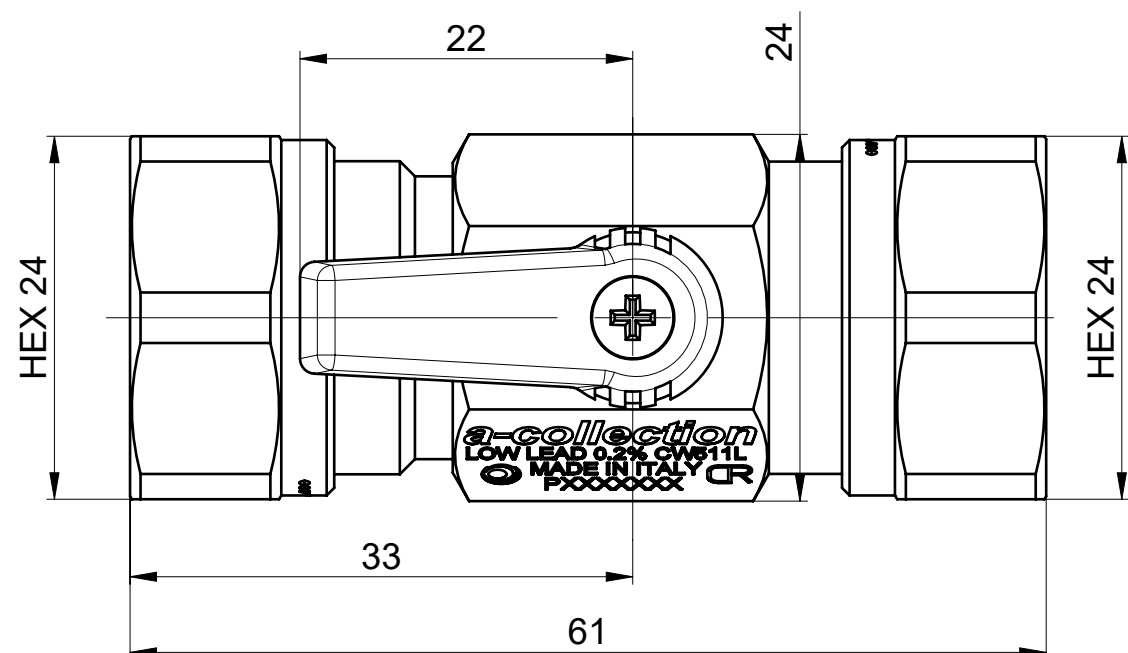
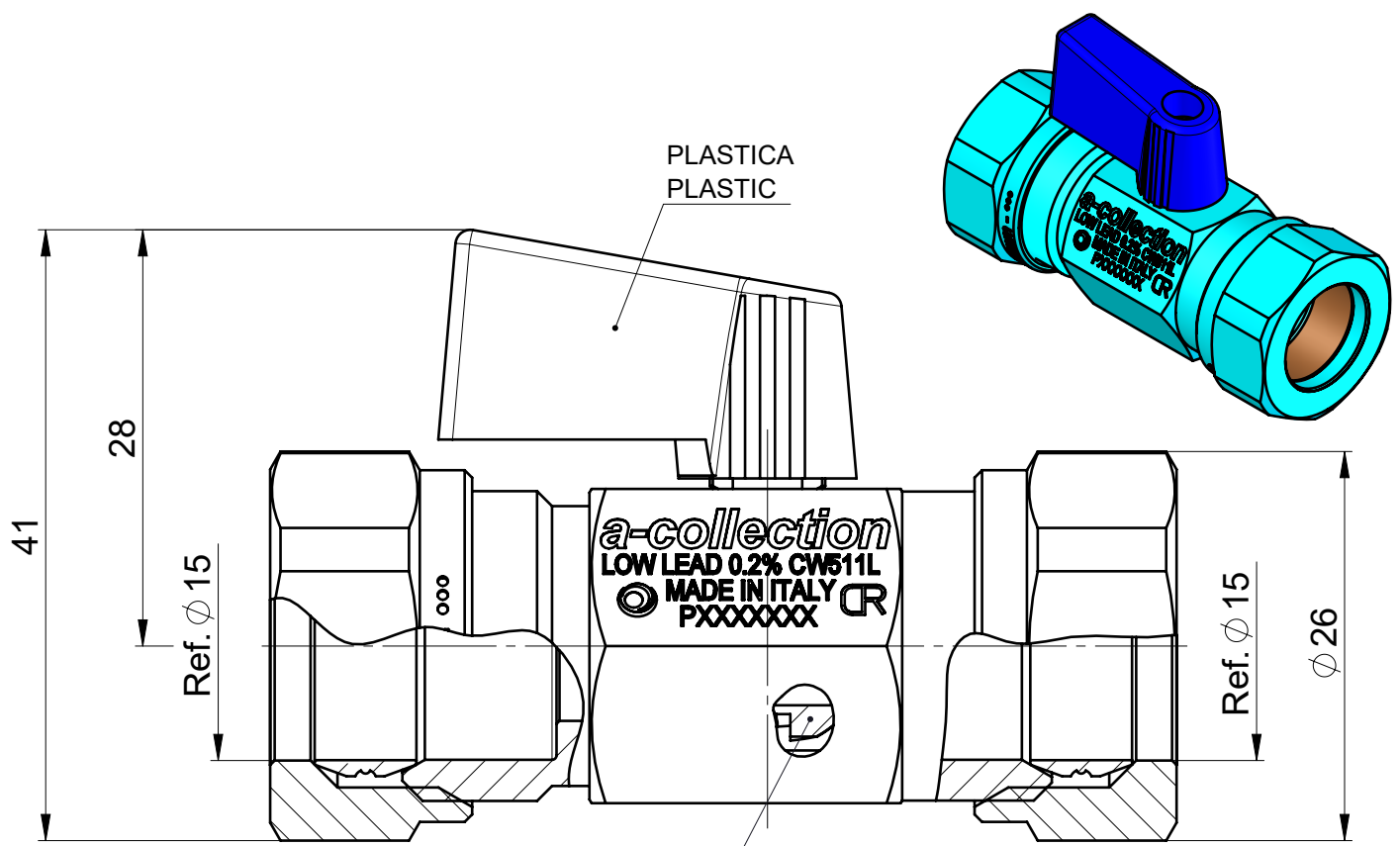



The exclusive ownership of this drawing is of Eurotermo Srl and in no case does the recipient acquire any rights relating to it. The recipient of the drawing undertakes to maintain maximum confidentiality on the same and not to make any use of it, in whole or in part, that is not previously authorized in writing by Eurotermo Srl. The recipient also undertakes to impose and guarantee compliance with the aforementioned obligations to its employees and / or collaborators, including external ones, by responding to Eurotermo Srl of any violations on their part.

1	2	3	4
Normative / Stds reference UNI EN 13828:2004	Condizioni di utilizzo / Terms of Use		
Compatibilità / Compatibility UBA list	Acqua Pressione massima 10bar Temperatura massima in continuo 70°C Temperatura di picco 90°C Temperatura minima -10°C No SHOCK termico Funzionalità garantita solo a valvola aperta o chiusa, non parzialmente aperta o chiusa	Water Maximum pressure 10bar Maximum temperature in continuous 70°C Peak temperature 90°C Minimum temperature -10°C No thermal SHOCK Functionality is guaranteed only with open or closed valve, not partially open or closed	
Certificazioni / Homologations -			



 eurotermo® valves evolve	DISEGNATO/DRAWN D. Bertoli	DATA/DATE 05/08/2024	APPROVATO/CHECKED M.S.	DATA/DATE 05/08/2024	SCALA/SCALE 2:1	FORMAT A4 Datasheet
	MATERIALE BASE/BASE MATERIAL UNI EN 12164 CW511L	ASPETTO / APPEARANCE CROMATO / CHROME PLATED				
	TENUTA SFERA/SPHERE SEAL guarnizione in PTFE RIMACINATO/REGRIND PTFE gasket	TENUTA ASTA/SPINDLE SEAL EPDM 70ShA O-ring				
	DESCRIZIONE/DESCRIPTION VALVOLA A SFERA "MINI" DN8 Ø15TR x Ø15TR LEVA BLU BALL VALVE "MINI" DN8 Ø15Cu x Ø15Cu WITH BLUE HANDLE					
NUM.DIS/DRAW.-NR. 002NK6660-DS						