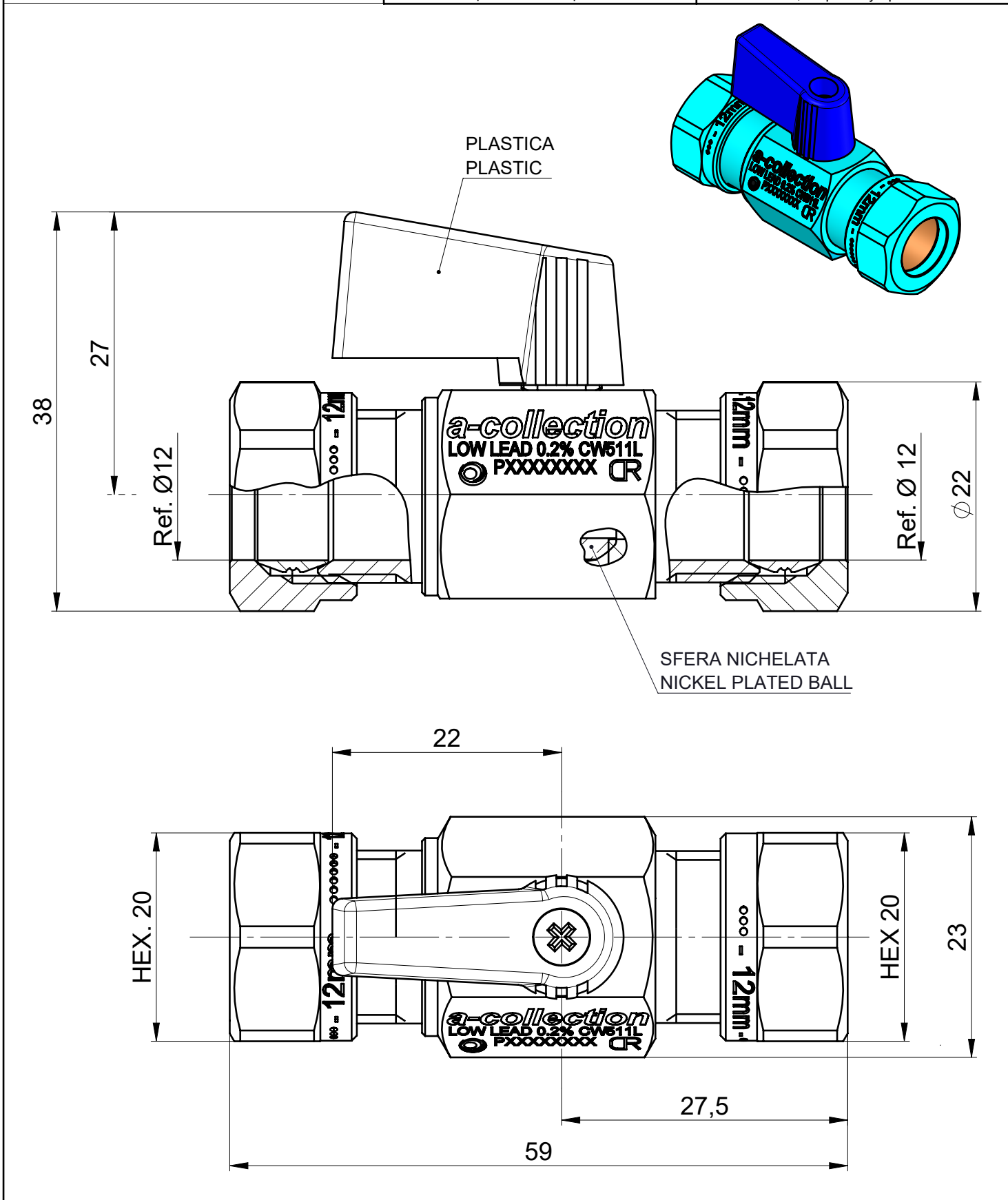



The exclusive ownership of this drawing is of Eurotermo Srl and in no case does the recipient acquire any rights relating to it. The recipient of the drawing undertakes to maintain maximum confidentiality on the same and not to make any use of it, in whole or in part, that is not previously authorized in writing by Eurotermo Srl. The recipient also undertakes to impose and guarantee compliance with the aforementioned obligations to its employees and / or collaborators, including external ones, by responding to Eurotermo Srl of any violations on their part.

1	2	3	4
Normative / Stds reference		Condizioni di utilizzo / Terms of Use	
UNI EN 13828:2004		Acqua Pressione massima 10bar Temperatura massima in continuo 70°C Temperatura di picco 90°C Temperatura minima -10°C No SHOCK termico Funzionalità garantita solo a valvola aperta o chiusa, non parzialmente aperta o chiusa	Water Maximum pressure 10bar Maximum temperature in continuous 70°C Peak temperature 90°C Minimum temperature -10°C No thermal SHOCK Functionality is guaranteed only with open or closed valve, not partially open or closed
Compatibilità / Compatibility			
UBA list			
Certificazioni / Homologations			



	DISEGNATO/DRAWN S. Murari	DATA/DATE 19/11/2021	APPROVATO/CHECKED M.S.	DATA/DATE 19/11/2021	SCALA/SCALE 2:1	FORMAT
	MATERIALE BASE/BASE MATERIAL UNI EN 12164 CW511L	ASPETTO / APPEARANCE CROMATO / CHROME PLATED		TENUTA SFERA/SPHERE SEAL guarnizione in PTFE RIMACINATO/REGRIND PTFE gasket		TENUTA ASTA/SPINDLE SEAL EPDM 70ShA O-ring
DESCRIZIONE/DESCRIPTION						
002NK6659-DS VALVOLA A SFERA "MINI" DN8 Ø12TR x Ø12TR LEVA BLU BALL VALVE "MINI" DN8 Ø12Cu x Ø12Cu WITH BLUE HANDLE						