

# Pilot-operated non-return valve, Series NR02

## 0821003029

Series NR02

- $Q_n = [[300] \text{ l/min}] \dots [[5800] \text{ l/min}]$



### Technical data

Industry  
Industrial

Compressed air connection 1  
G 3/4

Compressed air connection type 1  
Internal thread

Mounting  
installing in piping

Compressed air connection type 2  
Internal thread

Type  
Poppet valve

Compressed air connection 2  
G 3/4

Compressed air connection 12  
G 1/8

Nominal flow  $Q_n$  1 to 2  
4600 l/min

Nominal flow  $Q_n$  2 to 1  
4500 l/min

Working pressure min.  
1 bar

Working pressure max  
12 bar

Min. ambient temperature  
-10 °C

Max. ambient temperature  
60 °C

Min. medium temperature  
-10 °C

Max. medium temperature  
60 °C

Medium  
Compressed air

Weight  
0.52 kg

## Material

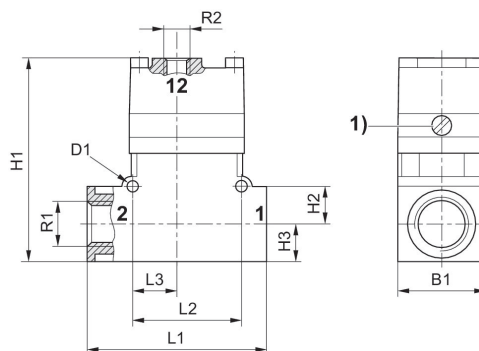
Housing material  
Aluminum

Part No.  
0821003029

Seal material  
Acrylonitrile butadiene rubber

## Technical information Dimensions

Fig. 4



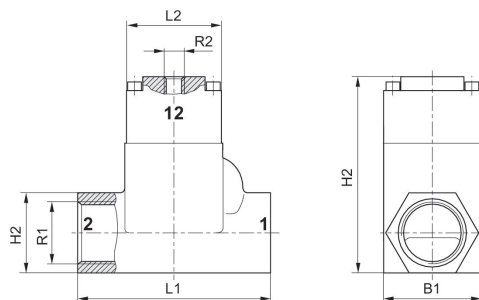
1) Manual override

	R1	R2	Ø D1	L1	L2	L3	H1	H2	H3
0821003042	G 3/8	G 1/8	4.3	72	44	18	82	15	15

	B1
0821003042	35

## Dimensions

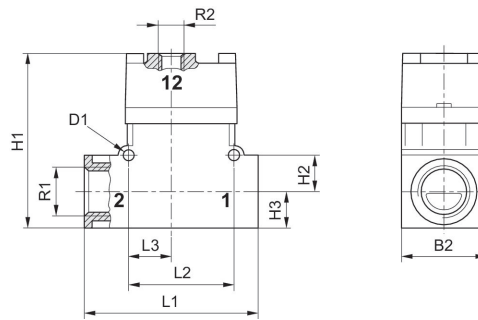
Fig. 3



	R1	R2	L1	L2	H1	H2	B1
0821003029	G 3/4	G 1/8	100	50	41	101	50
0821003030	G 1	G 1/8	100	50	41	101	50

## Dimensions

Fig. 2

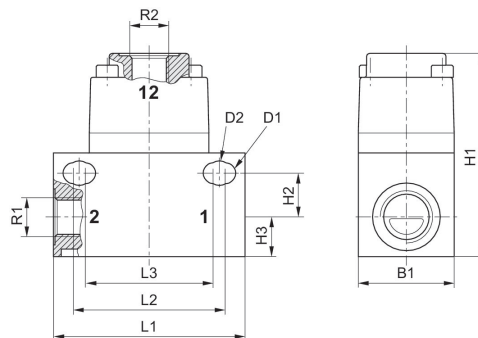


	R1	R2	Ø D1	L1	L2	L3	H1	H2	H3
0821003027	G 3/8	G 1/8	4.3	72	44	18	72	15	15
0821003028	G 1/2	G 1/8	4.3	72	44	18	72	15	15

	B1
0821003027	35
0821003028	35

## Dimensions

Fig. 1



	R1	R2	Ø D1	Ø D2	L1	L2	L3	H1	H2
0821003025	G 1/8	G 1/8	5.2	6.1	48	38	32	51	11
0821003026	G 1/4	G 1/8	5.2	6.1	48	38	32	51	11

	H3	B1
0821003025	10	24
0821003026	10	24