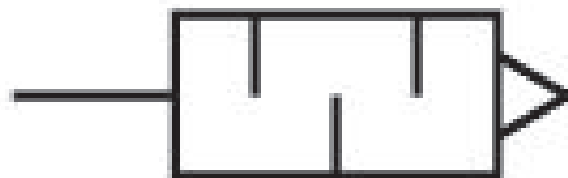


# Silencers, series S11

1827000003

General series information  
AVENTICS Series S11 Silencers

- AVENTICS Series S11 Silencers offers a broad range of silencers even in Metal or plastic to reduce the noise when Pneumatic products come to exhaust.



## Technical data

Industry	Industrial
Medium	Compressed air
Working pressure min.	0 bar
Working pressure max	10 bar
Min. ambient temperature	-25 °C
Max. ambient temperature	80 °C
Compressed air connection	G 1/2
Compressed air connection type	External thread
Sound pressure level	90 dB
Nominal flow Qn	7223 l/min
Delivery unit	2 piece
Weight	0.08 kg

## Material

Silencer material

Sintered bronze

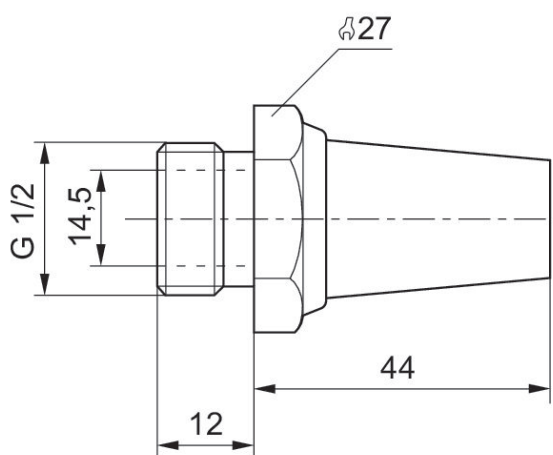
Material thread

Brass

Part No.

1827000003

## Dimensions in mm



## Flow diagram

1827000003

