

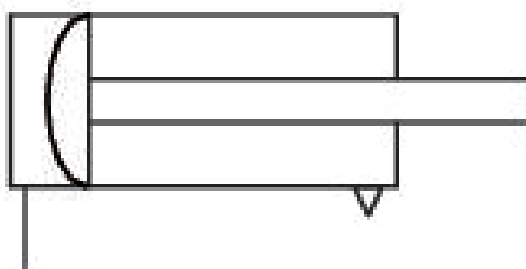
# Diaphragm-type cylinder, Series 102

1025200000

## General series information

AVENTICS Series 102 Diaphragm type cylinder

- The AVENTICS Series 102 is cost-efficient solution to generate high forces for press application for example.



## Technical data

Industry	Industrial
Piston Ø	113 mm
Stroke	50 mm
Ports	G 1/4
Functional principle	Single-acting, retracted without pressure
Pressure for determining piston forces	6 bar
Extracting piston force	6000 N
Min. ambient temperature	-20 °C
Max. ambient temperature	70 °C
Working pressure min.	2 bar
Working pressure max	8 bar
Piston rod thread	M16

Spring force min.	100 N
Spring force max.	650 N
Weight	5.6 kg
Medium	Compressed air
Min. medium temperature	-20 °C
Max. medium temperature	70 °C
Max. particle size	50 µm
Oil content of compressed air min.	0 mg/m <sup>3</sup>
Oil content of compressed air max.	5 mg/m <sup>3</sup>

## Material

Piston rod	Steel, chrome-plated
Seal material	Acrylonitrile butadiene rubber
Material, front cover	Steel, chrome-plated
Cylinder tube	Steel, chrome-plated
Part No.	1025200000

## Technical information

Diaphragm actuator strokes are tolerance-dependent.

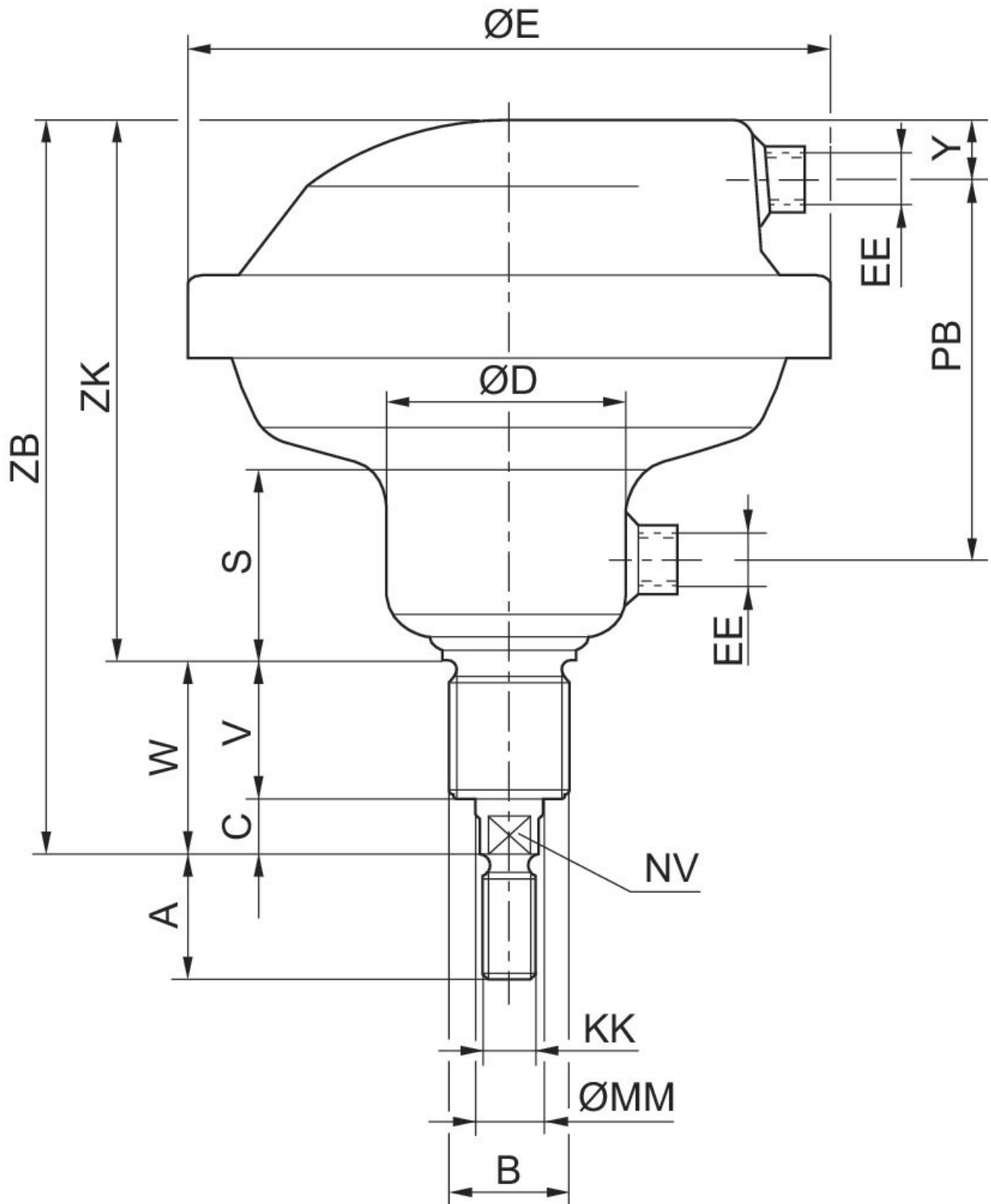
Tolerance at 40 mm, 50 mm, 80 mm stroke: ± 3 mm

The pressure dew point must be at least 15 °C less than ambient and medium temperature and may not exceed 3 °C.

The oil content of compressed air must remain constant during the life cycle.

Use only the approved oils from AVENTICS. Further information can be found in the “Technical information” document (available in <https://www.emerson.com/en-us/support>).

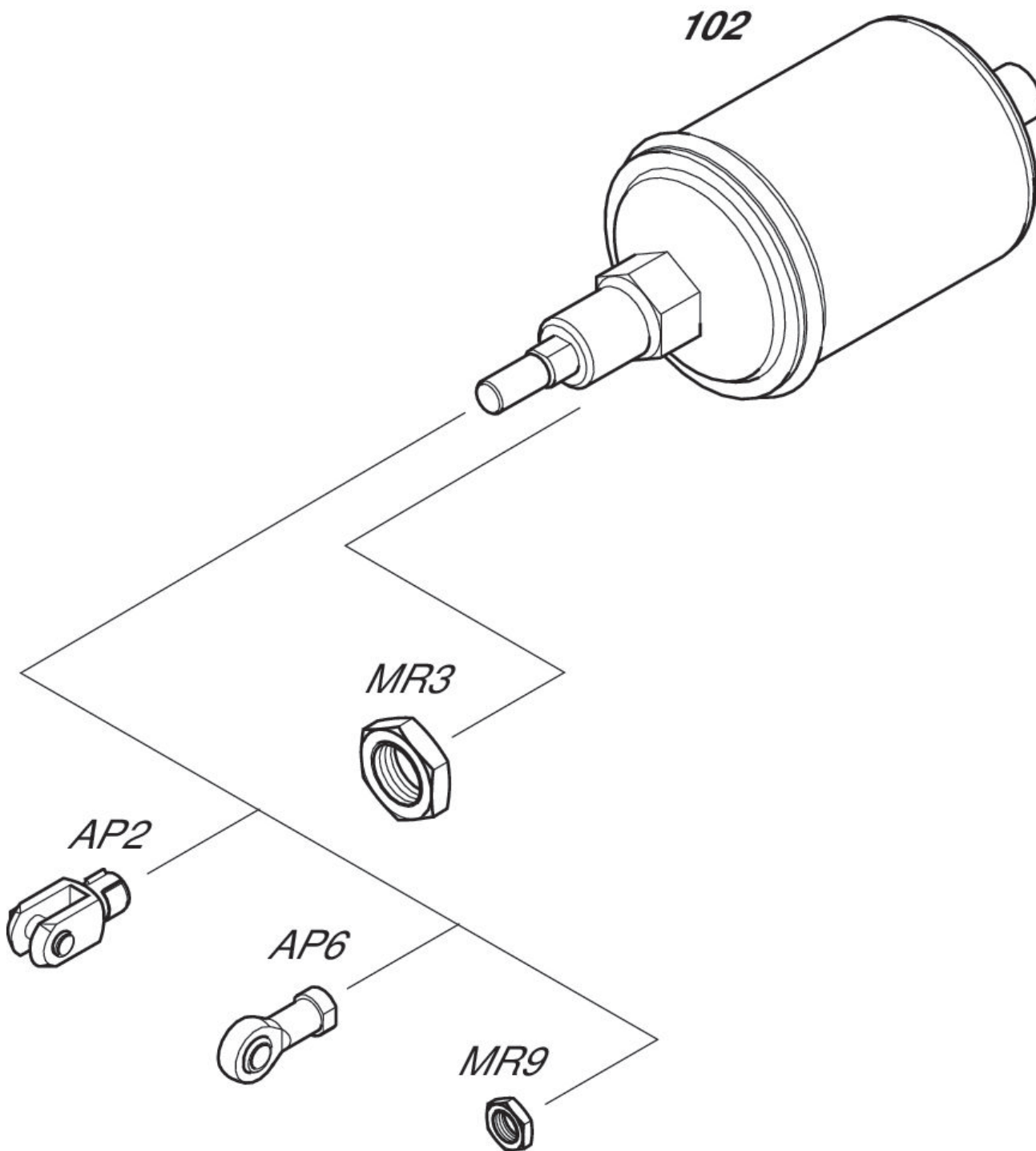
## Dimensions



Piston Ø	Part No.	A	B	C	D	E	S	V	W
80	1025100000	24	M24x2	14	55	150	48	38	52
113	1025200000	32	M36x3	20	71	195	55	38	58
160	1025300000	40	M36x3	20	88	261	58	45	65

Piston Ø	Y	EE	KK	MM	NV	PB	ZB	ZK
80	15	G 1/4	M12	16	13	90	183	131
113	15	G 1/4	M16	20	17	107	212	154
160	26	G 1/2	M20	25	22	117	243	178

## Overview drawing



NOTE: This overview drawing is only for orientation to indicate where the various accessory parts can be fastened to the cylinder. The illustration has been simplified for this purpose. It is thus not possible to derive the dimensions from this overview.