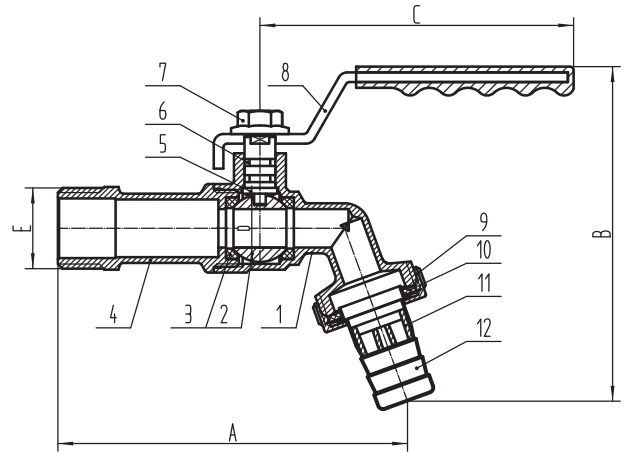


EAGLE VALVE

S0315 Brass Ball Cock With Hose Connector



Components

No.	Part Name	Qty	Material
1	Body	1	Brass
2	Ball	1	Brass
3	Seal Ring	2	PTFE
4	Bonnet	1	Brass
5	Spindle	1	Brass
6	O-Ring	2	NBR
7	Nut	1	Stainless Steel
8	Handle	1	Q235A
9	Nut	1	Brass
10	Gasket	1	NBR
11	Aerator	1	Polyethylene
12	Hose Connector	1	Brass

Dimensions

Size	A	B	C	D	E
1/2"x3/4"x1/2"	96.5	89	81.5	Φ10	G1/2
3/4"x1"x3/4"	100	93	81.5	Φ12	G3/4
1"x1 1/4"x1"	108	113	106	Φ14	G1

Flow and Pressure Drop

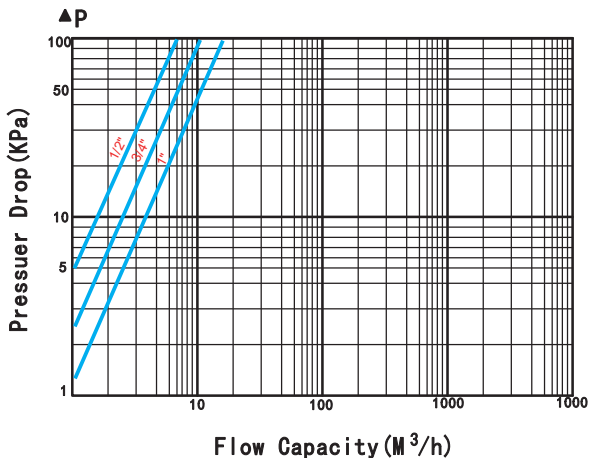


Diagram Pressure

