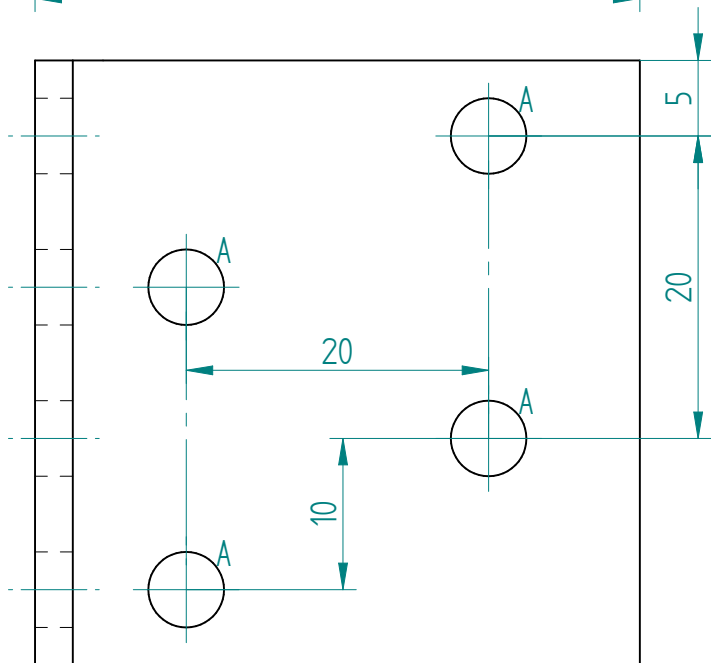
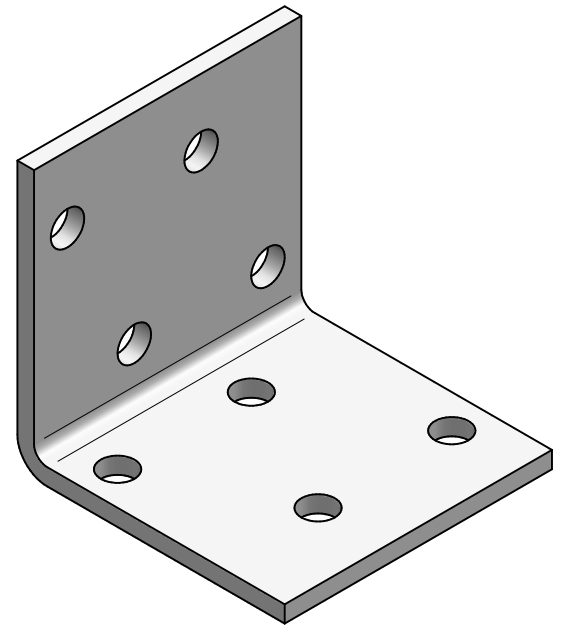


Hole	Size	Count
A	5 mm	8

3.2



Product name: Angle bracket 40x40x40x2,5
Material: HDG DX51D Z275