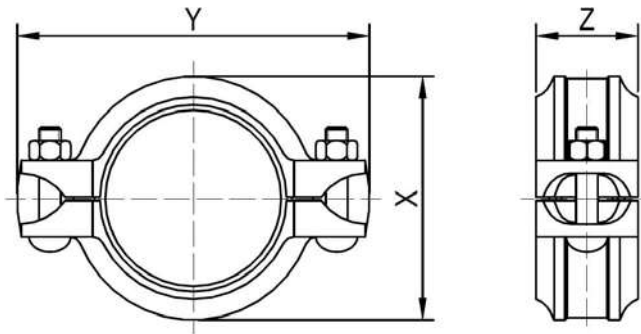


GROOVED COUPLINGS



RC1SS Stainless Steel Rigid Couplings



Dimension

Part Number	Size		Pipe O.D.		Pipe end separation		X		Y		Z		Bolt Size		Approx Wt.	
	in.	mm	mm	in.	mm	in.	mm	in.	mm	in.	mm	in.	mm	lbs	kg	
RC1SS-027	3/4	20	26.7	0-0.09	0-2.2	1.82	46	3.70	94	1.74	44	3/8X2	M10X50	1.1	0.5	
RC1SS-033	1	25	33.4	0-0.09	0-2.2	2.09	53	3.98	101	1.74	44	3/8X2	M10X50	1.3	0.6	
RC1SS-042	1 1/4	32	42.2	0-0.09	0-2.2	2.45	62	4.30	109	1.74	44	3/8X2	M10X50	1.3	0.6	
RC1SS-048	1 1/2	40	48.3	0-0.09	0-2.2	2.68	68	4.49	114	1.74	44	3/8X2	M10X50	1.3	0.6	
RC1SS-060	2	50	60.3	0-0.09	0-2.2	3.23	82	5.04	128	1.78	45	3/8X2	M10X50	1.6	0.7	
RC1SS-073	2 1/2	65	73.0	0-0.09	0-2.2	3.75	95	5.60	142	1.82	46	3/8X2	M10X50	2.0	0.9	
RC1SS-076	3OD	65	76.1	0-0.09	0-2.2	3.86	98	5.71	145	1.82	46	3/8X2	M10X50	2.0	0.9	
RC1SS-089	3	80	88.9	0-0.10	0-2.6	4.41	112	6.34	161	1.85	47	3/8X2	M10X50	2.2	1.0	
RC1SS-114	4	100	114.3	0-0.10	0-2.6	5.52	140	7.76	197	1.89	48	1/2X2 3/4	M12X70	3.52	1.6	
RC1SS-140	5 1/2OD	125	139.7	0-0.10	0-2.6	6.62	168	8.90	226	1.93	49	1/2X2 3/4	M12X70	4.4	2.0	
RC1SS-141	5	125	141.3	0-0.10	0-2.6	6.66	169	8.94	227	1.93	49	1/2X2 3/4	M12X70	4.4	2.0	
RC1SS-165	6 1/2OD	150	165.1	0-0.10	0-2.6	7.64	194	10.00	254	1.93	49	1/2X2 3/4	M12X70	5.1	2.3	
RC1SS-168	6	150	168.3	0-0.10	0-2.6	7.76	197	10.12	257	1.93	49	1/2X2 3/4	M12X70	5.1	2.3	
RC1SS-219	8	200	219.1	0-0.19	0-4.9	10.00	254	12.72	323	2.33	59	5/8X3 1/2	M16X90	8.8	4.0	
RC1SS-273	10	250	273.0	0-0.19	0-4.9	12.21	310	15.63	397	2.48	63	3/4 X4	M20X100	14	6.1	
RC1SS-324	12	300	323.9	0-0.19	0-4.9	14.30	363	17.76	451	2.48	63	3/4 X4	M20X100	16	7.2	

Performance Data (-29~38°C, CF8 (304) & CF8M (316))

Part Number	Size		Pipe O.D.	Sch.40S (Roll or Cut Groove)				Sch.10S (Roll Groove)				Sch.5S (Roll Groove)			
				Max. Working Pressure		Max. End Load		Max. Working Pressure		Max. End Load		Max. Working Pressure		Max. End Load	
				in.	mm	PSI	MPa	lbs	kN	PSI	MPa	lbs	kN	PSI	MPa
RC1SS-027	3/4	20	26.7	750	5.2	651	2.91	600	4.2	521	2.35	400	2.8	347	1.57
RC1SS-033	1	25	33.4	750	5.2	1019	4.56	600	4.2	815	3.68	400	2.8	543	2.45
RC1SS-042	1 1/4	32	42.2	750	5.2	1626	7.27	600	4.2	1301	5.87	400	2.8	867	3.92
RC1SS-048	1 1/2	40	48.3	750	5.2	2130	9.53	600	4.2	1704	7.70	400	2.8	1136	5.13
RC1SS-060	2	50	60.3	750	5.2	3320	14.85	600	4.2	2656	11.99	400	2.8	1771	8.00
RC1SS-073	2 1/2	65	73.0	600	4.2	3892	17.58	500	3.5	3244	14.65	350	2.4	2271	10.04
RC1SS-076	3OD	65	76.1	600	4.2	4230	19.10	500	3.5	3525	15.92	350	2.4	2468	10.92
RC1SS-089	3	80	88.9	600	4.2	5773	26.07	500	3.5	4811	21.73	350	2.4	3367	14.90
RC1SS-114	4	100	114.3	500	3.5	7952	35.91	500	3.5	7952	35.91	350	2.4	5567	24.63
RC1SS-140	5 1/2OD	150	139.7	400	2.8	9503	42.92	400	2.8	9503	42.92	300	2.1	7128	32.19
RC1SS-141	5	125	141.3	400	2.8	9722	43.91	400	2.8	9722	43.91	300	2.1	7292	32.93
RC1SS-165	6 1/2OD	150	165.1	400	2.8	13273	59.94	400	2.8	13273	59.94	300	2.1	9955	44.96
RC1SS-168	6	150	168.3	400	2.8	13793	62.29	400	2.8	13793	62.29	300	2.1	10345	46.72
RC1SS-219	8	200	219.1	300	2.1	17532	79.18	300	2.1	17532	79.18	200	1.4	11688	52.78
RC1SS-273	10	250	273.0	300	2.1	27219	122.92	300	2.1	27219	122.92	200	1.4	18146	81.95
RC1SS-324	12	300	323.9	300	2.1	38315	173.03	300	2.1	38315	173.03	200	1.4	25543	115.36